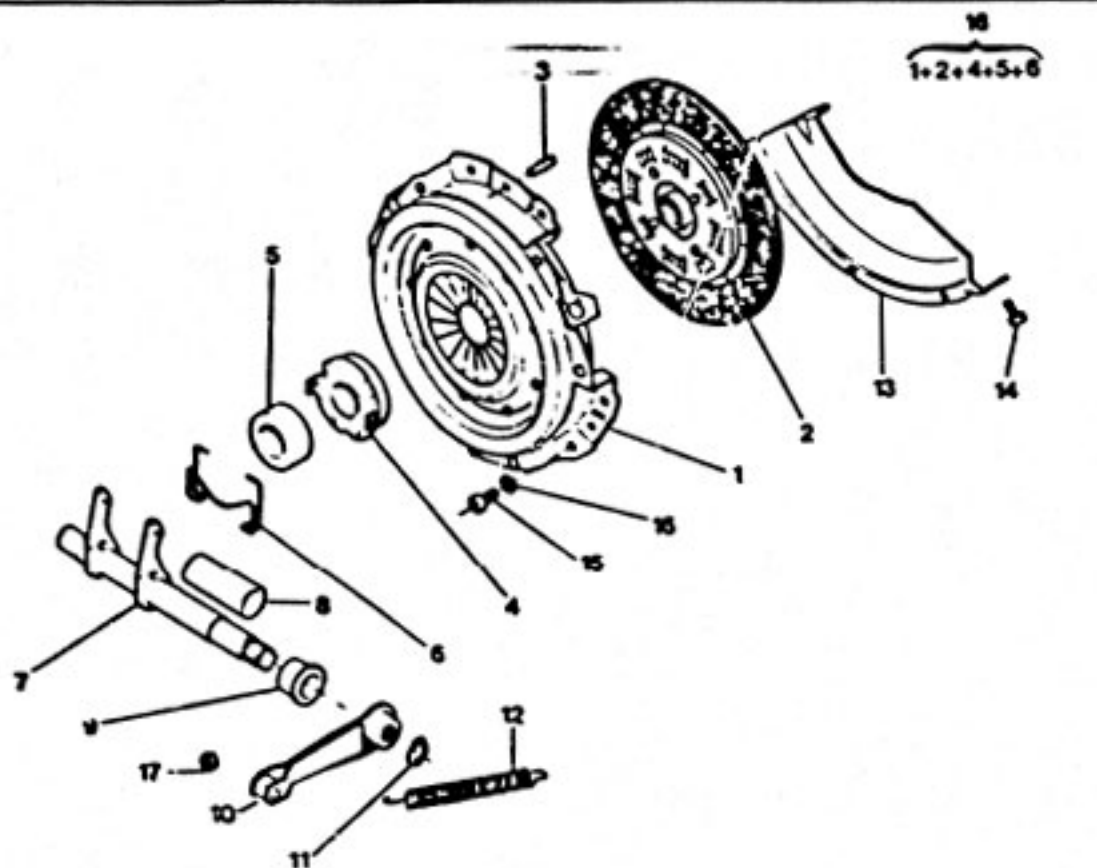


**EMBRAYAGE**  
KUPPUNG  
CLUTCH  
EMBRAGUE  
FRIZIONE



[15.790]

X3120100  
X3120100

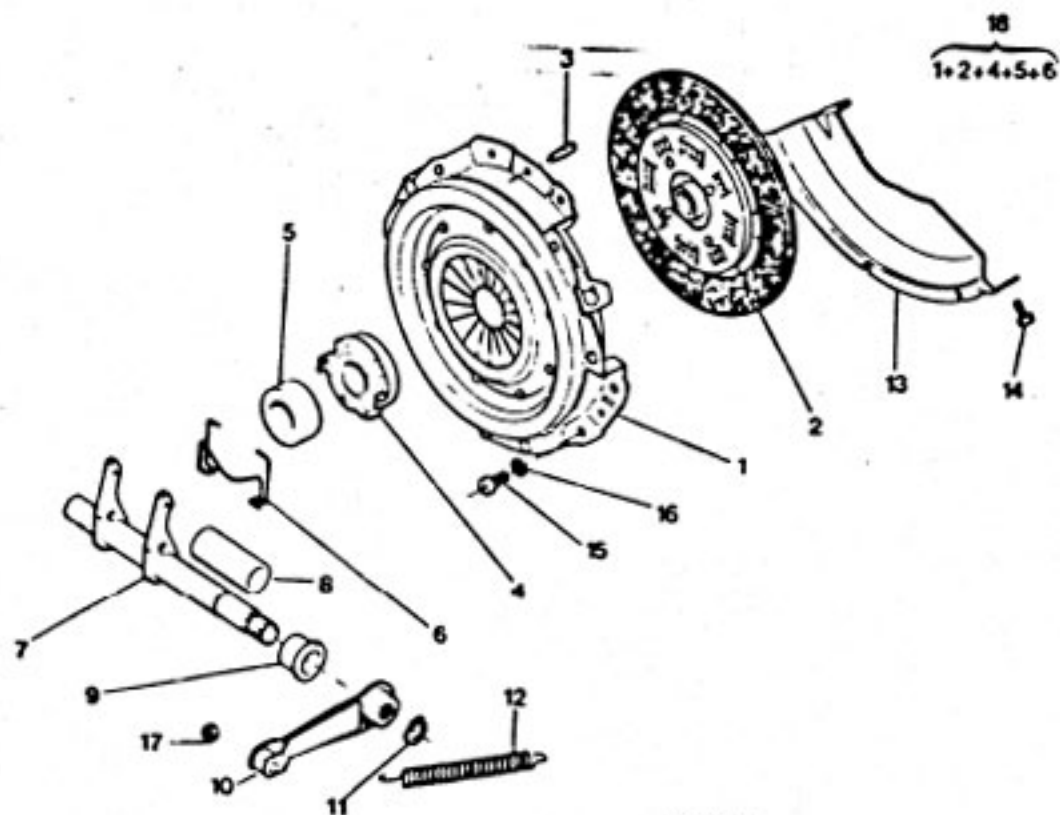
**ESSENCE 2L BVM**

|    |                              |    |          |  |
|----|------------------------------|----|----------|--|
| 01 | 77 09 722 064<br>RP 95632806 | 01 | ▶ 3261   | MECANISME EMBR.<br>DRUCKPLATTE<br>CLUTCH MECHANIM<br>MECANISMO<br>MECCANISMO |
|    | 95 632 806                   | 01 | 3262 ▶   | -  |
| 02 | 77 09 641 541<br>RP 96021900 | 01 | DIAM 215 | FRICITION<br>KUPPL.SCHEIBE<br>CLUTCH PLATE<br>DISCO EMBRAGUE<br>FRIZIONE     |

|    |               |    |                        |  |
|----|---------------|----|------------------------|--|
| 03 | 77 03 067 256 | 03 | DIAM 6-LON18           | GOUILLE<br>STIFT<br>PIN<br>PASADOR<br>COPPIGLIA                                      |
| 04 | 95 496 167    | 01 | 2 POS                  | ▶ 4922 BUTEE DEBRAYAGE<br>LAGER<br>BEARING BUFFER<br>TOPE EMBRAGUE<br>CUSCINETTO     |
|    | 95 492 693    | 01 | 1 POS                  | ▶ 4922 -   |
|    | 96 105 389    | 01 |                        | 4923 ▶ -   |
| 05 | 75 520 154    | 01 | 28X50X20               | JOINT DE BUTEE<br>LAGERDICHTUNG<br>BEARING SEAL<br>JUNTA COLLARIN<br>GUARNIZIONE REG |
| 06 | 5 443 516     | 01 |                        | AGRAFE DE BUTEE<br>LAGERSPANGE<br>STOP CLIP<br>GRAPA TOPE EMBR<br>AGRAFE RALLA       |
| 07 | 75 517 941    | 01 |                        | ▶ 3660 FOURCHETTE<br>GABEL<br>CLUTCH FORK<br>HOROUILLA<br>FORCELLA                   |
|    | 95 591 044    | 01 |                        | 3661 ▶ -   |
| 08 | 75 517 944    | 01 | 21X29X80<br>CAOUTCHOUC | GAINE<br>ABDECKUNG<br>FORK SLEEVE<br>PROTECTOR<br>GUAINA                             |
| 09 | 75 517 943    | 01 | DIAM INT 19-H30        | ▶ 3660 PALIER<br>LAGER<br>FORK BEARING<br>CASQUILLO<br>SUPPORTO                      |
|    | 95 591 043    | 01 |                        | 3661 ▶ -   |
| 10 | 95 588 828    | 01 |                        | LEVIER RENVOI<br>UMLENKHEBEL<br>RETURN LEVER<br>PALANCA REENVIO<br>LEVA RINVIO       |

26/11/90  
3191 02-3120-20  
PAGE : 1  
L11 ↑

**EMBRAYAGE**  
KUPPUNG  
CLUTCH  
EMBRAGUE  
FRIZIONE



[12/90]

X3120200  
X3120200

**INJECTION BVM**

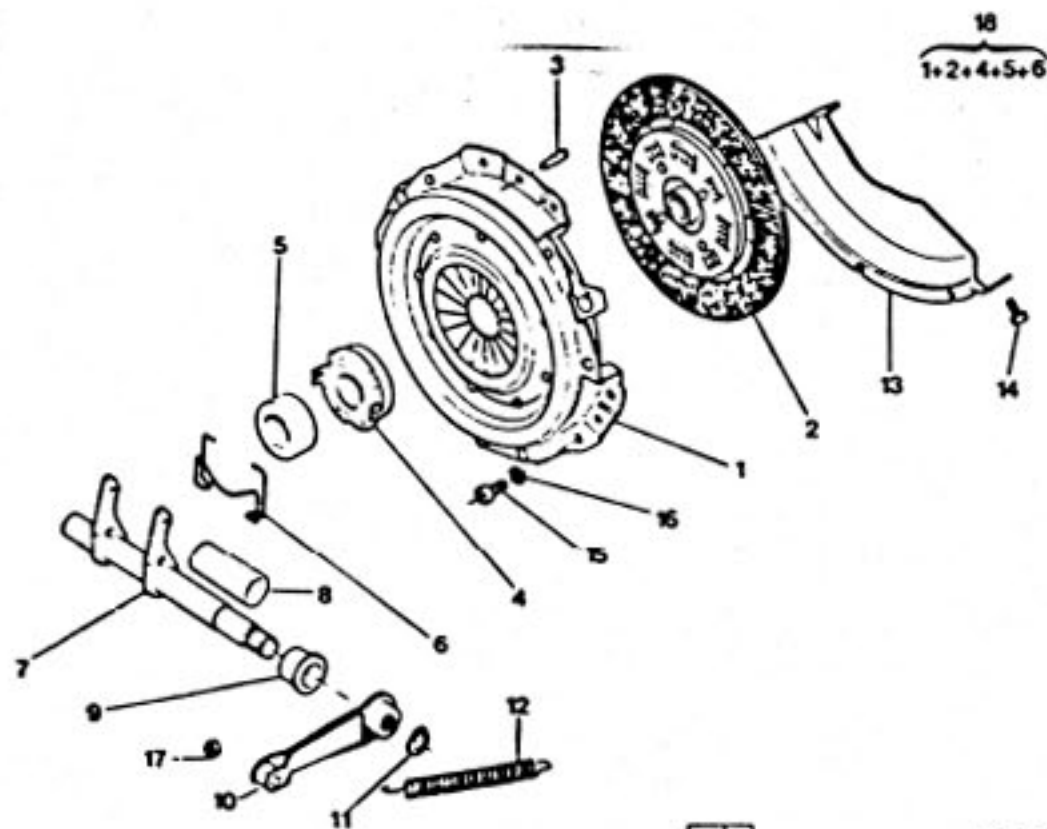
|    |                           |   |  |
|----|---------------------------|---|--|
| 01 | 95 577 500<br>RP 96080623 | 01 VALEO (EMBRAY) 235 DBR 525                     | MECANISME EMBR.<br>DRUCKPLATTE<br>CLUTCH MECHANIM<br>MECANISMO<br>MECCANISMO |
|    | 95 597 357                | 01 VALEO (EMBRAY) 235 DBR 757<br>-INJECTION TURBO | -  |
| 02 | 95 496 257                | 01 DIAM228,6                                      | FRICITION<br>KUPPL SCHEIBE<br>CLUTCH FLATE<br>DISCO EMBRAGUE<br>FRIZIONE     |

|    |                           |                                   |  |
|----|---------------------------|-----------------------------------|--|
| 02 | 95 597 416<br>RP 96042441 | 01 DIAM 228.6                     | FRICITION<br>KUPPL SCHEIBE<br>CLUTCH PLATE<br>DISCO EMBRAGUE<br>FRIZIONE             |
|    | 95 597 359<br>RP 95632504 | 01 DIAM 228.6<br>-INJECTION TURBO | ▶ 3491   |
|    | 95 632 504                | 01 DIAM 228.6<br>-INJECTION TURBO | 3492 ▶   |
| 03 | 26 170 919                | 01 DIAM 9X9.30-23                 | GOUPILLE<br>STIFT<br>PIN<br>PASADOR<br>COPPIGLIA                                     |
| 04 | 95 496 167                | 01 2 POS                          | ▶ 4922 BUTEE DEBRAYAGE<br>LAGER<br>BEARING BUFFER<br>TOPE EMBRAGUE<br>CUSCINETTO     |
|    | 95 492 693                | 01 1 POS                          | ▶ 4922   |
|    | 96 105 389                | 01                                | 4923 ▶   |
| 05 | 75 520 154                | 01 28X50X20                       | JOINT DE BUTEE<br>LAGERDICHTUNG<br>BEARING SEAL<br>JUNTA COLLARIN<br>GUARNIZIONE REG |
| 06 | 5 443 516                 | 01                                | AGRAFE DE BUTEE<br>LAGERSPANGE<br>STOP CLIP<br>GRAPA TOPE EMBR<br>AGRAFE RALLA       |
| 07 | 75 517 941                | 01                                | FOURCHETTE<br>GABEL<br>CLUTCH FORK<br>HOROUILLA<br>FORCELLA                          |
|    | 95 591 044                | 01 -INJECTION TURBO               | 3492 ▶   |
| 08 | 75 517 944                | 01 21X29X80<br>CAOUTCHOUC         | GAINÉ<br>ABDECKUNG<br>FORK SLEEVE<br>PROTECTOR<br>GUAINA                             |

.../...

26/11/90  
3191 02-3120-20  
PAGE : 2  
L12 ↑

**EMBRAYAGE**  
KUPPUNG  
CLUTCH  
EMBRAGUE  
FRIZIONE



(12/90)

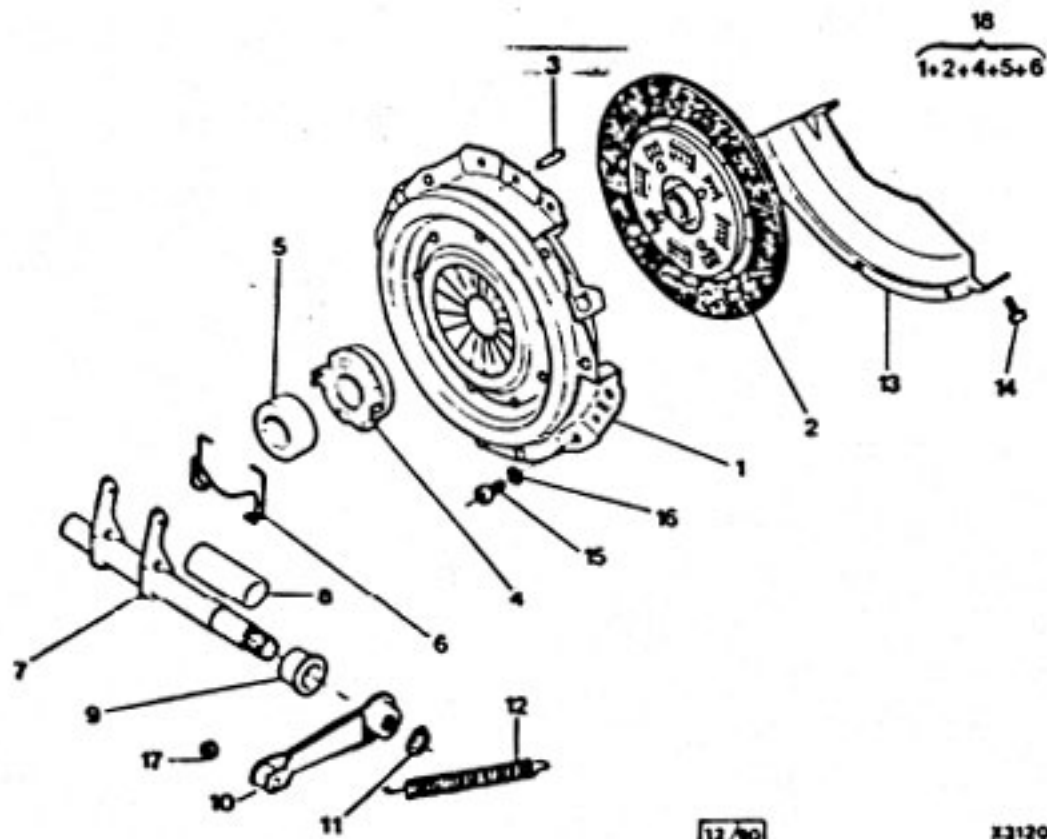
X3120200  
X3120200

**INJECTION BVM**

|    |            |    |                         |  |    |                                |    |  |  |
|----|------------|----|-------------------------|--|----|--------------------------------|----|--|--|
| 09 | 75 517 943 | 01 | DIAM INT 19-H30         | PALIER<br>LAGER<br>FORK BEARING<br>CASQUILLO<br>SUPPORTO                     | 11 | 79 03 066 215                  | 01 | DIAM 16,1 E 1                            | ANNEAU D'ARRET<br>VERGASER DIESEL<br>STOP-RING<br>ANILLO RETENCIO<br>ANELLO ARRESTO      |
|    | 95 591 043 | 01 | -INJECTION TURBO 3492 ▶ | -  | 12 | 5 437 671                      | 01 |  | RESSORT<br>FEDER<br>FORK SPRING<br>RESORTE<br>MOLLA                                      |
| 10 | 95 588 828 | 01 |                         | LEVIER RENVOI<br>UMLENKHEBEL<br>RETL-LEVER<br>PALANCA REENVIO<br>LEVA RINVIO | 13 | 5 437 595<br>RP 95437595       | 01 |  | PLAQUE<br>PLATTE<br>LOCK PLATE<br>PLACA DE CIERRE<br>PIASTRA                             |
|    |            |    |                         |  | 14 | 79 03 001 835<br>RP 7903201021 | 02 | DIAM 6X1,00-16                           | VIS TH<br>SCHRAUBE<br>CAPSCREW<br>TORNILLO TH<br>VITE                                    |
|    |            |    |                         |  | 15 | 26 213 869                     | 06 | DIAM 8X125-20                            | VIS CHC<br>SCHRAUBE<br>SOCKET SCREW<br>TORNILLO CHC<br>VITE TESTA                        |
|    |            |    |                         |  | 16 | 22 572 009<br>RP 7903055018    | 06 | DIAM 8                                   | RONDELLE GROWER<br>GROWERSCHEIBE<br>SPRING WASHER<br>ARANDELA<br>RONDELLA GROWER         |
|    |            |    |                         |  | 17 | 25 242 009<br>RP 7903232017    | 01 | DIAM 8X1,25-6,5                          | ECROU HEXAGONAL<br>SECHSKANTMUTTER<br>HEXAGONAL NUT<br>TUERCA<br>DADO ESAGONALE          |
|    |            |    |                         |  | 18 | 95 605 446                     | 01 | ENS << PAM >>                            | KIT PRO EMBRAY.<br>KUPPLUNGSSATZ<br>CLUTCH KIT PRO<br>KIT PRO EMBRAGU<br>INSIEME FRIZION |
|    |            |    |                         |  |    | 95 615 127<br>RP 95624926      | 01 | ENS << PAM >><br>-INJECTION TURBO ▶ 3491 | -  |
|    |            |    |                         |  |    | 95 624 926                     | 01 | -INJECTION TURBO 3492 ▶                  | -  |

26/11/90  
3191 02-3120-25  
PAGE : 1  
L13 ↑

EMBRAYAGE  
KUPPUNG  
CLUTCH  
EMBRAGUE  
FRIZIONE



[12/90]

X3120250  
X3120250

GAZOLE BVM

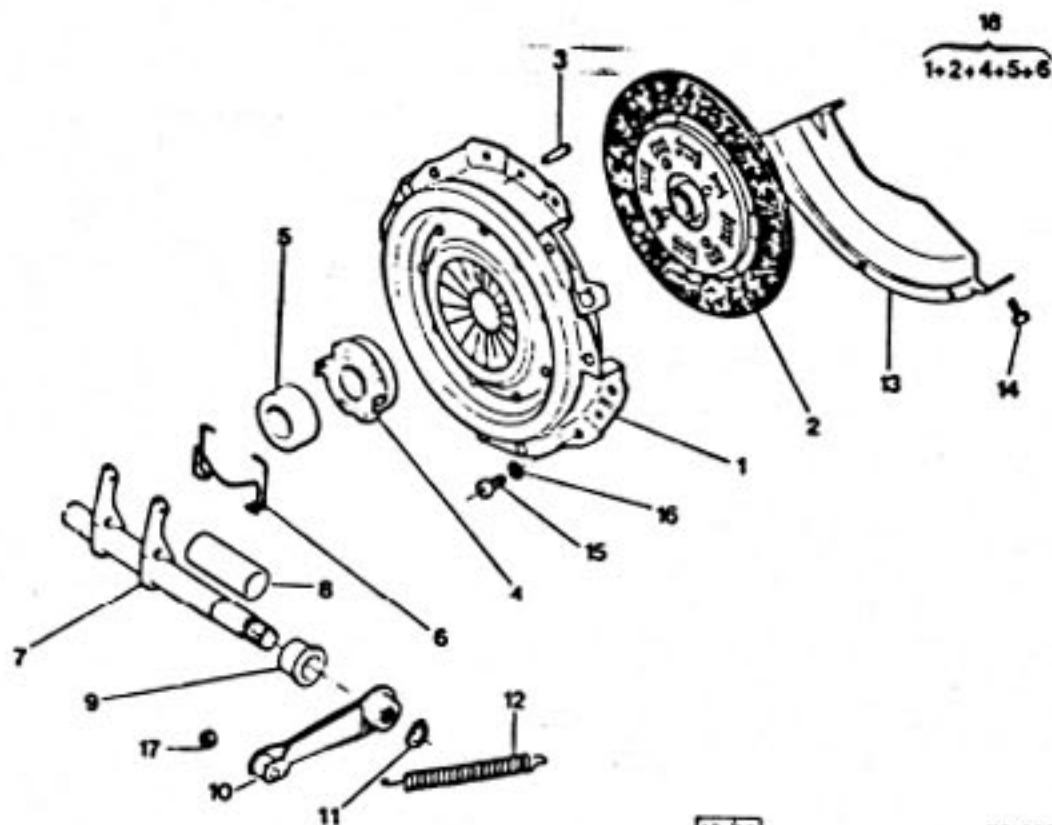
|    |                           |   |  |    |                           |   |  |
|----|---------------------------|---|--|----|---------------------------|---|--|
| 01 | 85 577 508<br>RP 96080623 | 01 VALEO (EMBRAY) 235 DBR 525<br>-2.5L<br>-2.5L -TURBO ▶ 3765 | MECANISME EMBR.<br>DRUCKPLATTE<br>CLUTCH MECHANIM<br>MECANISMO<br>MECCANISMO | 02 | 95 638 807<br>RP 96063016 | 01 DIAM 228,6<br>-2.5L -TURBO<br>-2.5L ▶ 3765 | FRICION<br>KUPPLSCHEIBE<br>CLUTCH PLATE<br>DISCO EMBRAGUE<br>FRIZIONE                |
|    | 95 597 357                | 01 VALEO (EMBRAY) 235 DER 757<br>-2.5L -TURBO ▶ 3766          | -  | 03 | 96 063 016                | 01 DIAM 228,6<br>-2.5L -TURBO ▶ 3766          | -  |
| 02 | 85 496 443<br>RP 96063016 | 01 DIAM 228,6<br>-2.5L -TURBO ▶ 3765                          | FRICION<br>KUPPLSCHEIBE<br>CLUTCH PLATE<br>DISCO EMBRAGUE<br>FRIZIONE        | 04 | 26 170 919                | 01 DIAM 9X9,30-23                             | GOUILLE<br>STIFT<br>PIN<br>PASADOR<br>COPPIGLIA                                      |
|    |                           |   |  | 05 | 95 496 167                | 01 2 POS ▶ 4922                               | BUTEE DEBRAYAGE<br>LAGER<br>BEARING BUFFER<br>TOPE EMBRAGUE<br>CUSCINETTO            |
|    |                           |   |  | 06 | 95 492 693                | 01 1 POS ▶ 4922                               | -  |
|    |                           |   |  | 07 | 96 105 389                | 01 ▶ 4923                                     | -  |
|    |                           |   |  | 08 | 75 520 154                | 01 28X50X20                                   | JOINT DE BUTEE<br>LAGERDICHTUNG<br>BEARING SEAL<br>JUNTA COLLARIN<br>GUARNIZIONE REG |
|    |                           |   |  | 09 | 5 443 516                 | 01  | AGRAFE DE BUTEE<br>LAGERSPANGE<br>STOP CLIP<br>GRAPA TOPE EMBR<br>AGRAFE RALLA       |
|    |                           |   |  | 10 | 75 517 941                | 01  | FOURCHETTE<br>GABEL<br>CLUTCH FORK<br>HORQUILLA<br>FORCELLA                          |
|    |                           |   |  | 11 | 75 517 944                | 01 21X29X80<br>CAOUTCHOUC                     | GAINÉ<br>ABDECKUNG<br>FORK SLEEVE<br>PROTECTOR<br>GUAINA                             |
|    |                           |   |  | 12 | 75 517 943                | 01 DIAM INT 19-H30                            | PALIER<br>LAGER<br>FORK BEARING<br>CASQUILLO<br>SUPPORTO                             |

.../...



26/11/90  
3191 02-3120-25  
PAGE : 2  
L14 ↑

**EMBRAYAGE**  
KUPPUNG  
CLUTCH  
EMBRAGUE  
FRIZIONE



[12/90]

X3120250  
X3120250

**GAZOLE BVM**

10 95 588 828

01

LEVIER RENVOI  
UMLENKHEBEL  
RETURN LEVER  
PALANCA REENVIO  
LEVA RINVIO

11 79 03 066 215

01 DIAM 16,1 E 1

ANNEAU D'ARRET  
VERGASER DIESEL  
STOP-RING  
ANILLO RETENCIO  
ANELLO ARRESTO

12 5 437 671

13 5 437 595  
RP 95437595

14 79 03 001 835  
RP 7903201021

15 26 213 869

16 22 572 009  
RP 7903055018

17 25 242 009  
RP 7903232017

18 95 624 968  
RP 95650981

95 605 445  
RP 95650981

95 650 980

01 RESSORT  
FEDER  
FORK SPRING  
RESORTE  
MOLLA

01 PLAQUE  
PLATTE  
LOCK PLATE  
PLACA DE CIERRE  
PIASTRA

02 DIAM 6X1,00-16  
VIS TH  
SCHRAUJE  
CAPSCREW  
TORNILLO TH  
VITE

06 DIAM 8X125-20  
VIS CHC  
SCHRAUBE  
SOCKET SCREW  
TORNILLO CHC  
VITE TESTA

06 DIAM 8  
RONDELLE GROWER  
GROWERSCHEIBE  
SPRING WASHER  
ARANDELA  
RONDELLA GROWER

01 DIAM 8X1,25-6,5  
ECROU HEXAGONAL  
SECHSKANTMUTTER  
HEXAGONAL NUT  
TUERCA  
DADO ESAGONALE

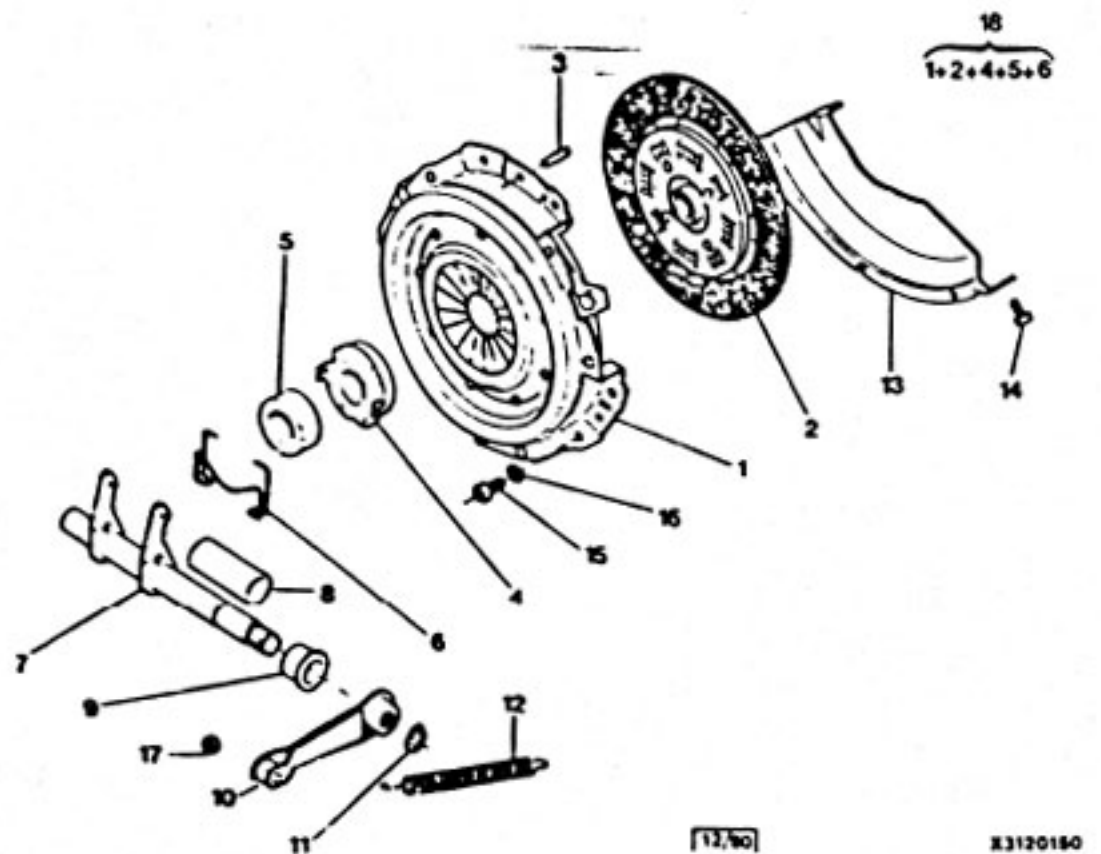
01 ENS < < PAM > >  
-2,5L  
KIT PRO EMBRAY.  
KUPPLUNGSSATZ  
CLUTCH KIT PRO  
KIT PRO EMBRAGU  
INSIEME FRIZION

01 ENS < < PAM > >  
-2,5L -TURBO ▶ 3765

01 -2,5L -TURBO 3766 ▶

26/11/90  
 3191 02-3120-15  
 PAGE : 1  
 L09 ↑

**EMBRAYAGE**  
 KUPPUNG  
 CLUTCH  
 EMBRAGUE  
 FRIZIONE



[12/90]

X3120160  
 X3120150

**ESSENCE 2.2L BVM**

01 95 632 806

01

MECANISME EMBR.  
 DRUCKPLATTE  
 CLUTCH MECHANIM  
 MECANISMO  
 MECCANISMO

02 77 08 641 541  
 RP 96021900

01 DIAM 215

FRICITION  
 KUPPL SCHEIBE  
 CLUTCH PLATE  
 DISCO EMBRAGUE  
 FRIZIONE

03 77 03 067 256

04 95 496 167

95 492 693

96 105 389

05 75 520 154

06 5 443 516

07 75 517 941

95 591 044

08 75 517 944

09 75 517 943

95 591 043

10 95 588 828

03 DIAM 6-LON18

01 2 POS

01 1 POS

01

01 28X50X20

01

01

01

01 21X29X80  
 CAOUTCHOUC

01 DIAM INT 19-H30

01

01

GOUILLE  
 STIFT  
 PIN  
 PASADOR  
 COPPIGLIA

▶ 4922 BUTEE DEBRAYAGE  
 LAGER  
 BEARING BUFFER  
 TOPE EMBRAGUE  
 CUSCINETTO

▶ 4922

4923 ▶

JOINT DE BUTEE  
 LAGERDICHTUNG  
 BEARING SEAL  
 JUNTA COLLARIN  
 GUARNIZIONE REG

AGRAFE DE BUTEE  
 LAGERSPANGE  
 STOP CLIP  
 GRAPA TOPE EMBR  
 AGRAFE RALLA

▶ 3660 FOURCHETTE  
 GABEL  
 CLUTCH FORK  
 HOROUILLA  
 FORCELLA

3661 ▶

GAINÉ  
 ABDECKUNG  
 FORK SLEEVE  
 PROTECTOR  
 GUAINA

▶ 3660 PALIER  
 LAGER  
 FORK BEARING  
 CASOUILLO  
 SUPPORTO

3661 ▶

LEVIER RENVOI  
 UMLENKHEBEL  
 RETURN LEVER  
 PALANCA REENVIO  
 LEVA RINVIO

.../...