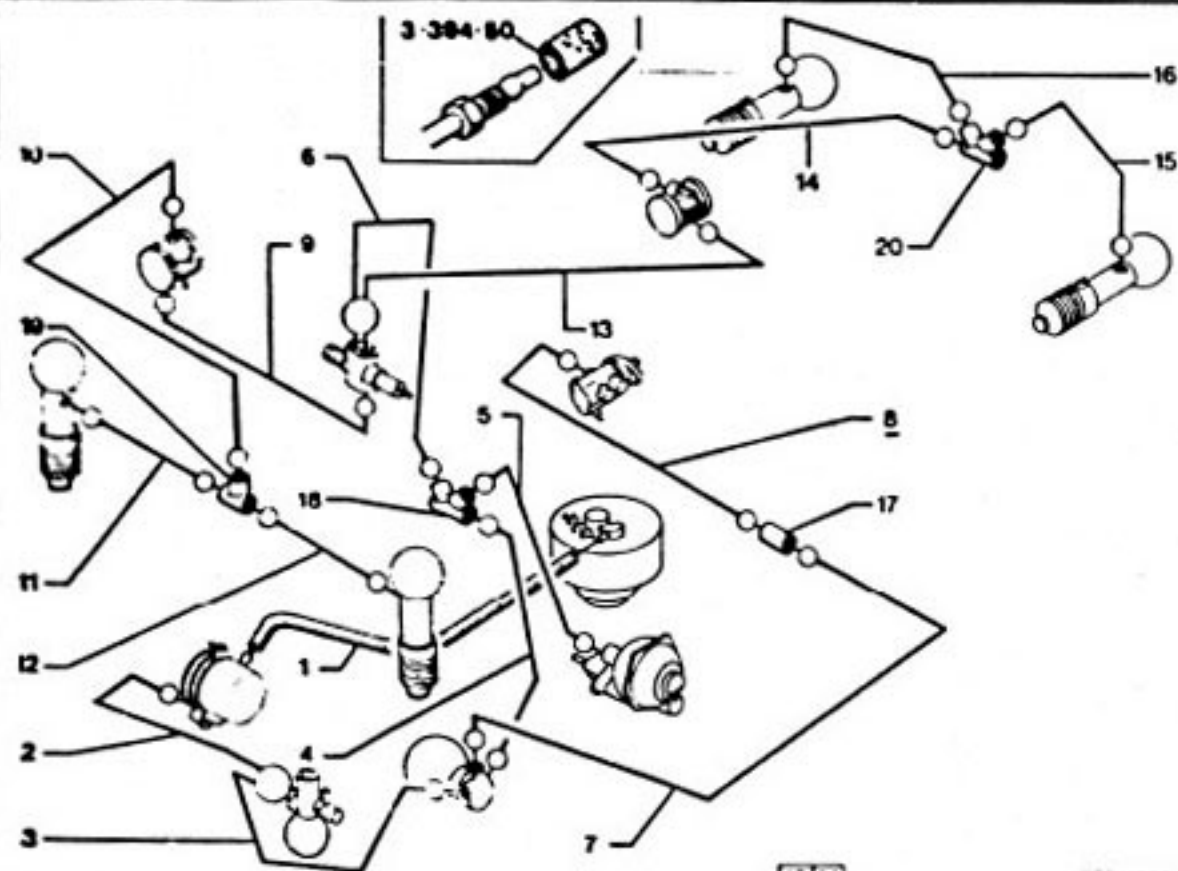


**CANALISATIONS ALIMENTATION SUSPENSION**  
ZUFUHRLEITUNGEN F. FEDERUNG  
SUPPLY SUSPENSION PIPING  
CANALIZA. DE ALIMENTATION DE SUSPENSION  
CANALIZZAZIONE ALIMENTAZIONE SOSPENSIONE

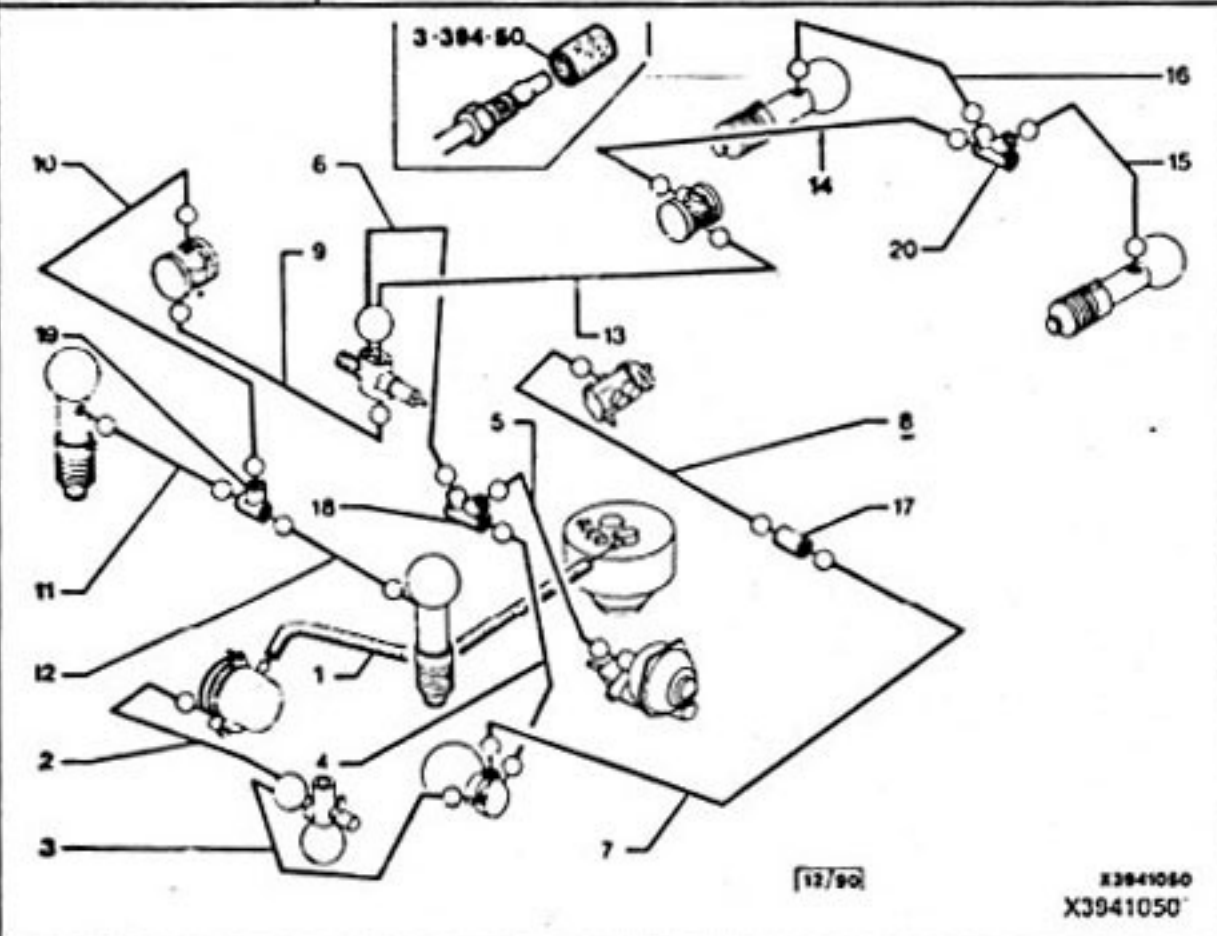


**BERLINE SAUF (S)**

01	95 623 775	01 LON 860 DIAM EXT 18 -2,5L -BVM	TUBE ROHR HYDRAULIC TUBE TUBO HIDRAULICO TUBO IDRAULICO
	79 05 026 984	01 DIAM INT 11ET13-1220 -2L -BVM -2,2L -BVM	
	79 05 026 926	01 LON 940 -BVA	
02	5 467 145	01 DIAM 6,35 LON 535 -2,5L -BVM	

02	75 523 100	01 LON 535 -2L -BVM -2,2L -BVM	TUBE ROHR HYDRAULIC TUBE TUBO HIDRAULICO TUBO IDRAULICO
	95 544 401	01 DIAM 6,35-730 -CLIMATISEUR	
	95 548 401	01 DIAM 6,35-650 -BVA	
03	95 599 224	01 LON 1044 -2L -2,2L	
	95 599 222	01 DIAM 4,5 LON 1020 -2,5L -BVM	
	95 599 223	01 DIAM 4,5 LON 950 -ESSENCE -2,5L -CLIMATISEUR	
	95 599 225	01 LON 940 -GAZOLE -CLIMATISEUR -BVM4	
	95 599 227	01 DIAM 4,5 LON 1155 -GAZOLE -CLIMATISEUR -BVM5	
	95 599 226	01 DIAM 4,5 LON 1125 -BVA	
04	95 548 405	01 LON 1075	
05	5 473 460	01 LON 380 -BVM4	
	5 503 356	01 LON 380 -BVA -BVM5	
06	5 450 478	01 LON 640	
07	95 595 113	01 DIAM 3,5 LON 1155	
08	95 578 838 RP 95609022	01 LON 575 -CAG	
09	95 539 860	01 DIAM 3,5 LON 820	
10	75 526 821	01 DIAM 3,5 LON 590 -2,5L	
11	5 450 448	01 DIAM 3,5 LON 410 -2,5L	

**CANALISATIONS ALIMENTATION SUSPENSION**  
 ZUFUHRLEITUNGEN F. FEDERUNG  
 SUPPLY SUSPENSION PIPING  
 CANALIZA. DE ALIMENTATION DE SUSPENSION  
 CANALIZZAZIONE ALIMENTAZIONE SOSPENSIONE

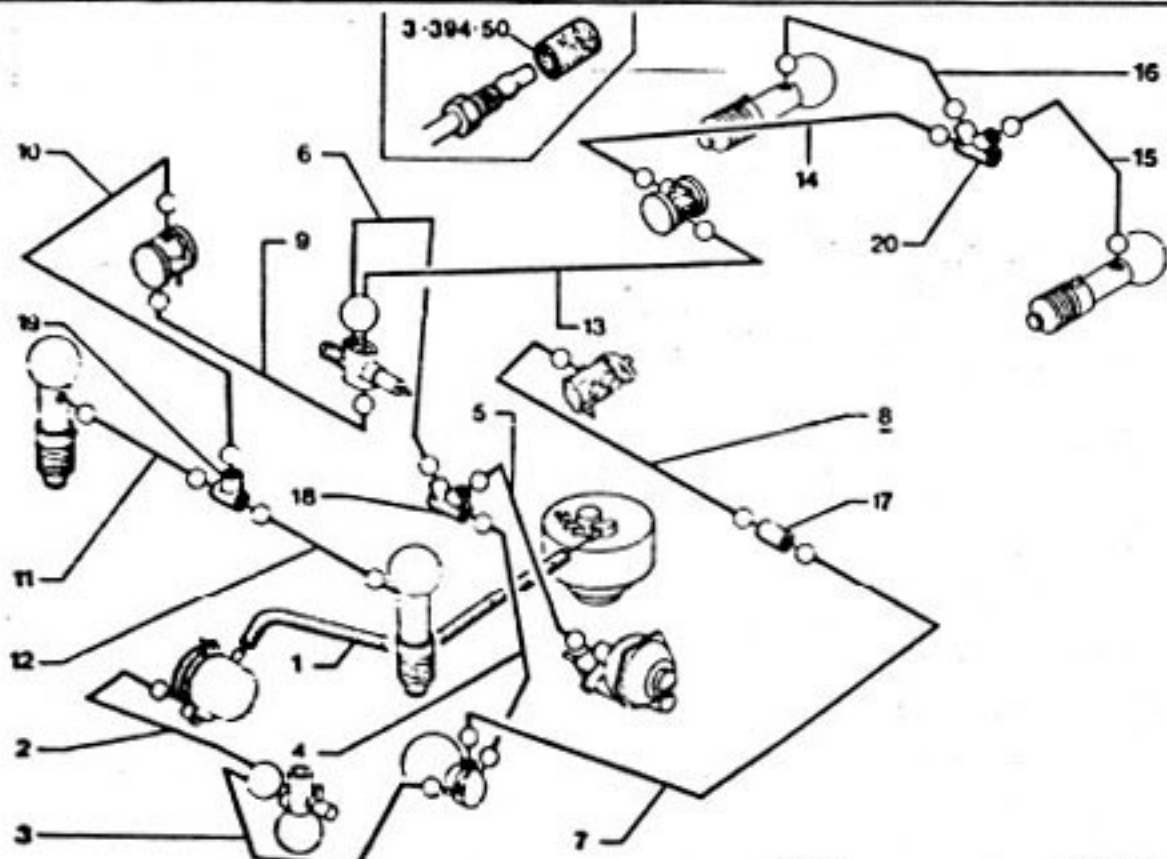


**BERLINE SAUF (S)**

11	75 522 281	01 LON 480 -2L -2,2L	TUBE ROHR HYDRAULIC TUBE TUBO HIDRAULICO TUBO IDRAULICO
12	5 509 113	01 LON 800	.
13	5 450 445	01 DIAM 3,5 LON 2980	.
14	5 450 453	01 DIAM 3,5 LON 300	.
15	95 605 399	01 DIAM 3,5 LON 975	.

16	5 450 454	01 DIAM 3,5 LON 590	TUBE ROHR HYDRAULIC TUBE TUBO HIDRAULICO TUBO IDRAULICO
17	5 447 189	01 AV 2 DIAM 8X1,25	RACCORD 2 VOIES 2WEGEVERBINDUNG PIPE 2WAY UNION RACOR 2 VIAS RACCORDO 2 VIE
18	5 473 402	01 3 DIAM 9X125	RACCORD 3 VOIES 3WEGEVERBINDUNG PIPE 3WAY UNION RACOR 3 VIAS RACCORDO 3 VIE
19	5 438 353	01 AV 3 DIAM 8X1,25	.
20	75 515 788	01 AR 4 DIAM 8X1,25	RACCORD 4 VOIES 4WEGEVERBINDUNG PIPE 4WAY UNION RACOR 4 VIAS RACCORDO 4 VIE
58	95 592 573 RP 95609022	01 LON 1080 -CAD	<b>XT</b>  TUBE ROHR HYDRAULIC TUBE TUBO HIDRAULICO TUBO IDRAULICO

**CANALISATIONS ALIMENTATION SUSPENSION**  
**ZUFUHRLEITUNGEN F. FEDERUNG**  
**SUPPLY SUSPENSION PIPING**  
**CANALIZA. DE ALIMENTATION DE SUSPENSION**  
**CANALIZZAZIONE ALIMENTAZIONE SOSPENSIONE**

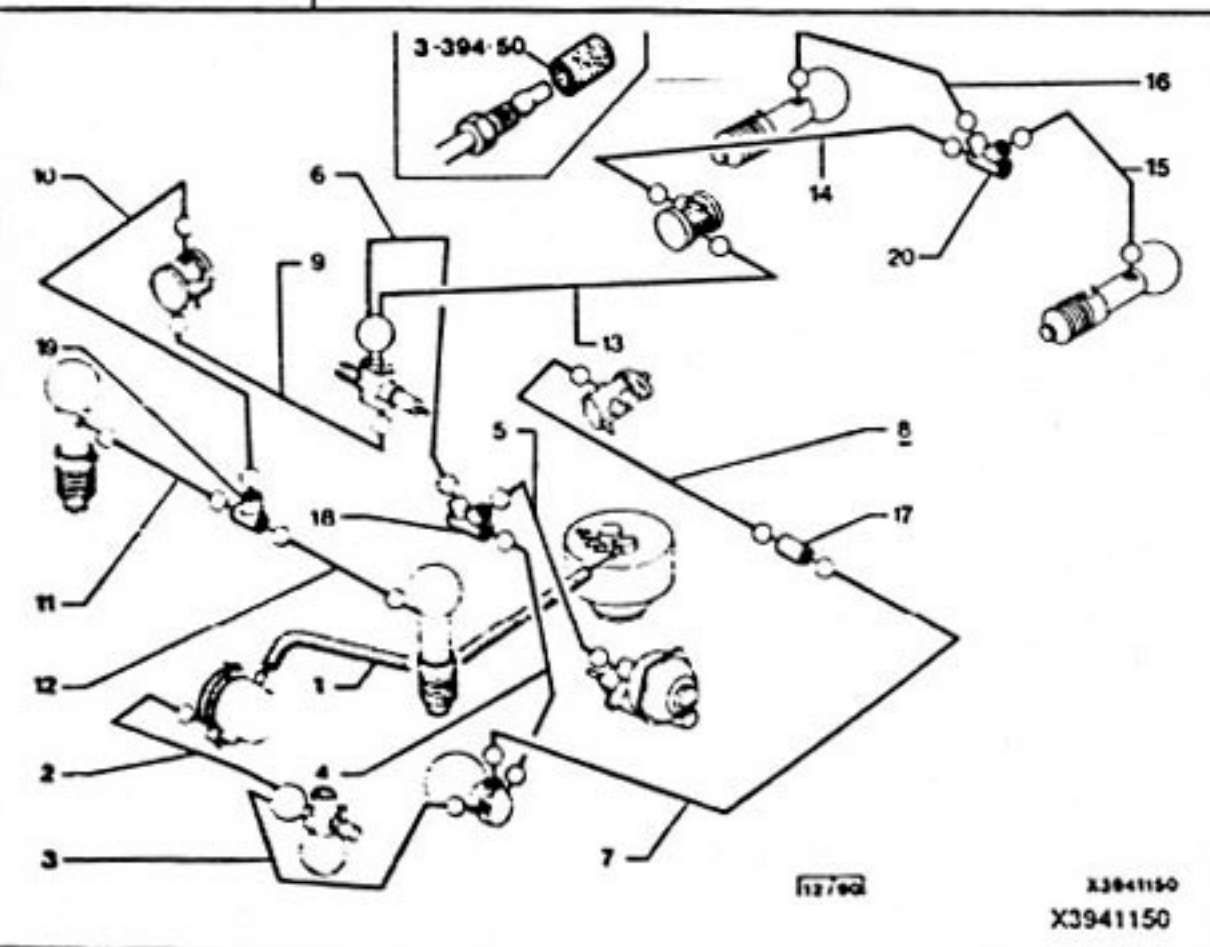


X3941150  
 X3941150

**BREAK PRESTIGE LIMOU SAUF (S)**

01	95 623 775	01 LON 860 DIAM EXT 18 -2.5L -BVM	TUBE ROHR HYDRAULIC TUBE TUBO HIDRAULICO TUBO IDRAULICO	02	75 523 100	01 LON 535 -2L -2.2L	TUBE ROHR HYDRAULIC TUBE TUBO HIDRAULICO TUBO IDRAULICO
	79 05 026 984	01 DIAM INT 11ET13-1220 -2L -BVM -2.2L -BVM			95 544 401	01 DIAM 6,35-730 -CLIMATISEUR	
	79 05 026 926	01 LON 940 -BVA			95 548 401	01 DIAM 6,35-650 -BVA	
	5 467 145	01 DIAM 6,35 LON 535 -2.5L -BVM		03	95 599 224	01 LON 1044 -2L -2.2L	
					95 599 222	01 DIAM 4,5 LON 1020 -2,5L -BVM	
					95 599 223	01 DIAM 4,5 LON 950 -ESSENCE -2,5L -CLIMATISEUR	
					95 599 225	01 LON 940 -GAZOLE -BVM4 -CLIMATISEUR	
					95 599 227	01 DIAM 4,5 LON 1155 -GAZOLE -BVM5 -CLIMATISEUR	
					95 599 226	01 DIAM 4,5 LON 1125 -BVA	
				04	95 548 405	01 LON 1075	
				05	5 473 460	01 LON 380 -BVM4	
					5 503 356	01 LON 380 -BVA -BVM5	
				06	5 450 478	01 LON 640	
				07	95 595 113	01 DIAM 3,5 LON 1155	
				08	95 578 838 RP 95609022	01 LON 575 -CAG	
				09	95 539 860	01 DIAM 3,5 LON 820	
				10	75 526 221	01 DIAM 3,5 LON 590	
				11	5 450 448	01 DIAM 3,5 LON 410 -2,5L	
					75 522 281	01 LON 480 -2L	

**CANALISATIONS ALIMENTATION SUSPENSION**  
**ZUFUHRLEITUNGEN F. FEDERUNG**  
**SUPPLY SUSPENSION PIPING**  
**CANALIZA. DE ALIMENTATION DE SUSPENSION**  
**CANALIZZAZIONE ALIMENTAZIONE SOSPENSIONE**



112792  
 X3941150  
 X3941150

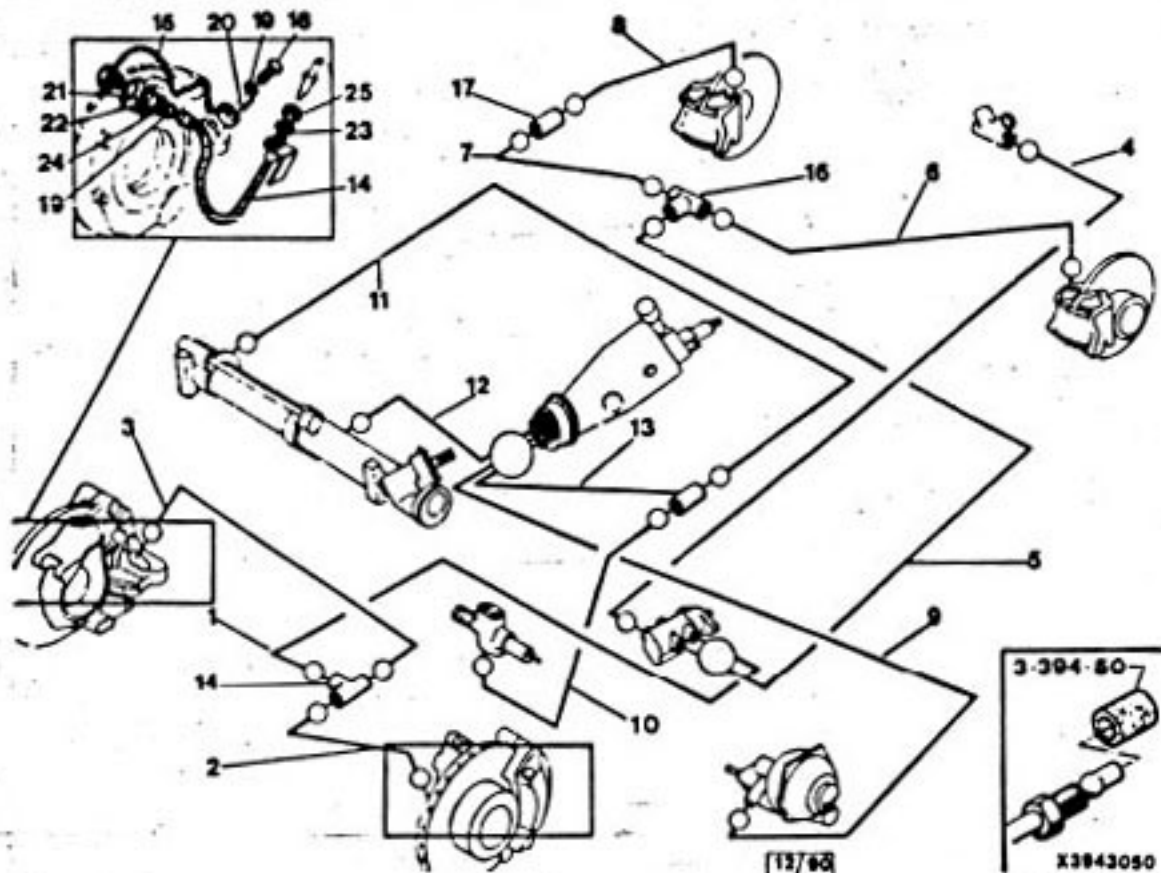
**BREAK PRESTIGE LIMOU SAUF (S)**

11	75 522 281	01 (suite) -2.2L	TUBE ROHR HYDRAULIC TUBE TUBO HIDRAULICO TUBO IDRAULICO
12	5 509 113	01 LON 800	.
13	5 478 327	01 LON 3230	.
14	5 450 453	01 DIAM 3,5 LON 300	.
15	95 605 399	01 DIAM 3,5 LON 875	.

16	5 450 454	01 DIAM 3,5 LON 590	TUBE ROHR HYDRAULIC TUBE TUBO HIDRAULICO TUBO IDRAULICO
17	5 447 189	01 AV 2 DIAM 8X1,25	<b>RACCORD 2 VOIES</b> 2WEGEVERBINDUNG PIPE 2WAY UNION RACOR 2 VIAS RACCORDO 2 VIE
18	5 473 402	01 3 DIAM 9X125	<b>RACCORD 3 VOIES</b> 3WEGEVERBINDUNG PIPE 3WAY UNION RACOR 3 VIAS RACCORDO 3 VIE
19	5 438 353	01 AV 3 DIAM 8X1,25	.
20	75 515 788	01 AR 4 DIAM 8X1,25	<b>RACCORD 4 VOIES</b> 4WEGEVERBINDUNG PIPE 4WAY UNION RACOR 4 VIAS RACCORDO 4 VIE

<b>XT</b>			
58	95 592 573 RP 95609022	01 LON 1080 -CAD	TUBE ROHR HYDRAULIC TUBE TUBO HIDRAULICO TUBO IDRAULICO

**CANALISATIONS DIRECTION FREIN**  
 BREMS-UND LENLUNGS-LEITUNGEN  
 STEERING AND BRAKE PIPING  
 CANALIZACIONES DIRECCION Y FRENOS  
 CANALIZZAZIONI STERZO E FRENI

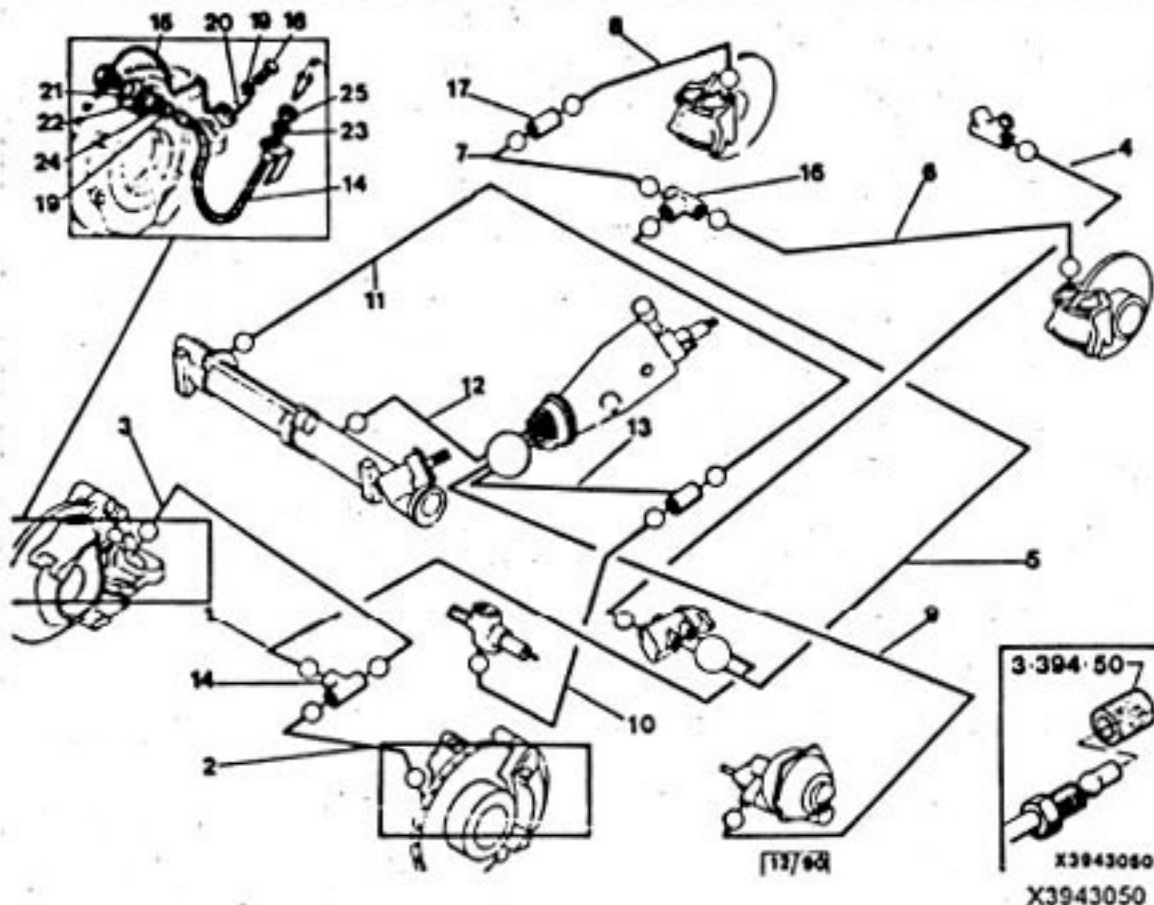


**BERLINE CAG SAUF (S)**

01	95 585 081	01	DIAM 3,5-785	TUBE ROHR HYDRAULIC TUBE TUBO HIDRAULICO TUBO IDRAULICO
02	95 588 337	01	LON 520	.
03	75 522 280	01	LON 1100 -2L -2,2L	.
	5 478 288	01	-2,5L	.
04	95 578 835	01	LON 3150	.

05	95 598 337	01	TUBE ROHR HYDRAULIC TUBE TUBO HIDRAULICO TUBO IDRAULICO
06	95 609 024	01	LON 1955
07	5 450 450	01	LON 1080
08	95 609 025	01	LON 1955
09	5 473 459	01	LON 410 -BVM4
	5 503 355	01	LON 410 -BVA -BVM5
10	5 473 404	01	LON 275
11	5 473 424	01	LON 800
12	5 473 403	01	LON 635
13	5 472 454	01	RACCORD 2 VOIES 2WEGEVERBINDUNG PIPE 2WAY UNION RACOR 2 VIAS RACCORDO 2 VIE
14	95 493 016	02	LON 345,5  FLEXIBLE FREIN SCHLAUCH FLEXIBLE HOSE FLEXIBLE FLESSIBILE
15	5 454 960	01	G- AVG  TUBE ROHR HYDRAULIC TUBE TUBO HIDRAULICO TUBO IDRAULICO
	5 454 961	01	D- AVD
16	5 438 353	02	AV 3 DIAM 8X1,25  RACCORD 3 VOIES 3WEGEVERBINDUNG PIPE 3WAY UNION RACOR 3 VIAS RACCORDO 3 VIE
17	5 447 189	01	AV 2 DIAM 8X1,25  RACCORD 2 VOIES 2WEGEVERBINDUNG PIPE 2WAY UNION RACOR 2 VIAS RACCORDO 2 VIE

**CANALISATIONS DIRECTION FREIN**  
**BREMS-UND LENLUNGS-LEITUNGEN**  
**STEERING AND BRAKE PIPING**  
**CANALIZACIONES DIRECCION Y FRENOS**  
**CANALIZZAZIONI STERZO E FRENI**

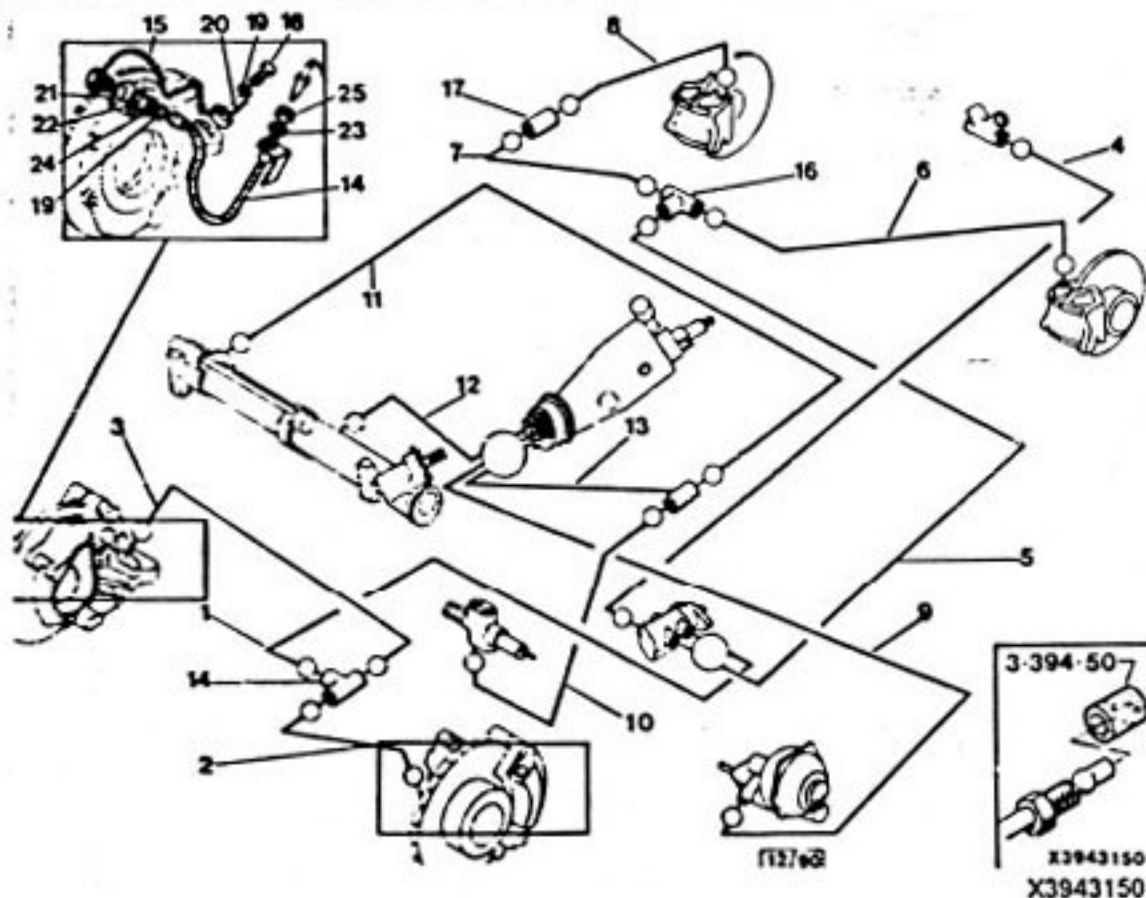


**BERLINE CAG SAUF (S)**

18	5 427 798 NFP	02 DIAM 10X100-33	VIS RACCORD VERB.SCHRAUBE UNION-SCREW TORNILLO RACOR VITE
19	22 457 009	06 CU DIAM 10X15 E1	RONDELLE PLATE FLACHSCHEIBE PLAIN WASHER ARANDELA PLANA RONDELLA PIATTA

20	26 170 229	02 4,45X20	GOUPILLE PASS-STIFT COTTER PIN PASADOR RONDELLA PIATTA
21	5 455 184	01 G- AVG	SUPPORT TUYAU HALTER PIPE BRACKET SOPORTE SUPPORTO
22	5 455 185 ZD 9336 600 U RP 7903056129	01 D- AVD 02 DIAM 18,5X30E4	- RONDELLE A DENT ZAHNSCHEIBE SPRING WASHER ARANDELA RONDELLA DENTAT
23	22 722 019	02 DIAM 14X27X2,5	RONDELLE SCHEIBE BELT FIX WASHER ARANDELA RONDELLA
24	26 150 979	02 H18X1,00-8,5	ECROU MUTTER NUT TUERCA DADO
25	79 03 032 231	02 HE14X1,50 H6	ECROU HEXAGONAL SECHSKANTMUTTER HEXAGONAL NUT TUERCA DADO ESAGONALE

**CANALISATIONS DIRECTION FREIN**  
**BREMS-UND LENLUNGS-LEITUNGEN**  
**STEERING AND BRAKE PIPING**  
**CANALIZACIONES DIRECCION Y FRENO**  
**CANALIZZAZIONI STERZO E FRENI**

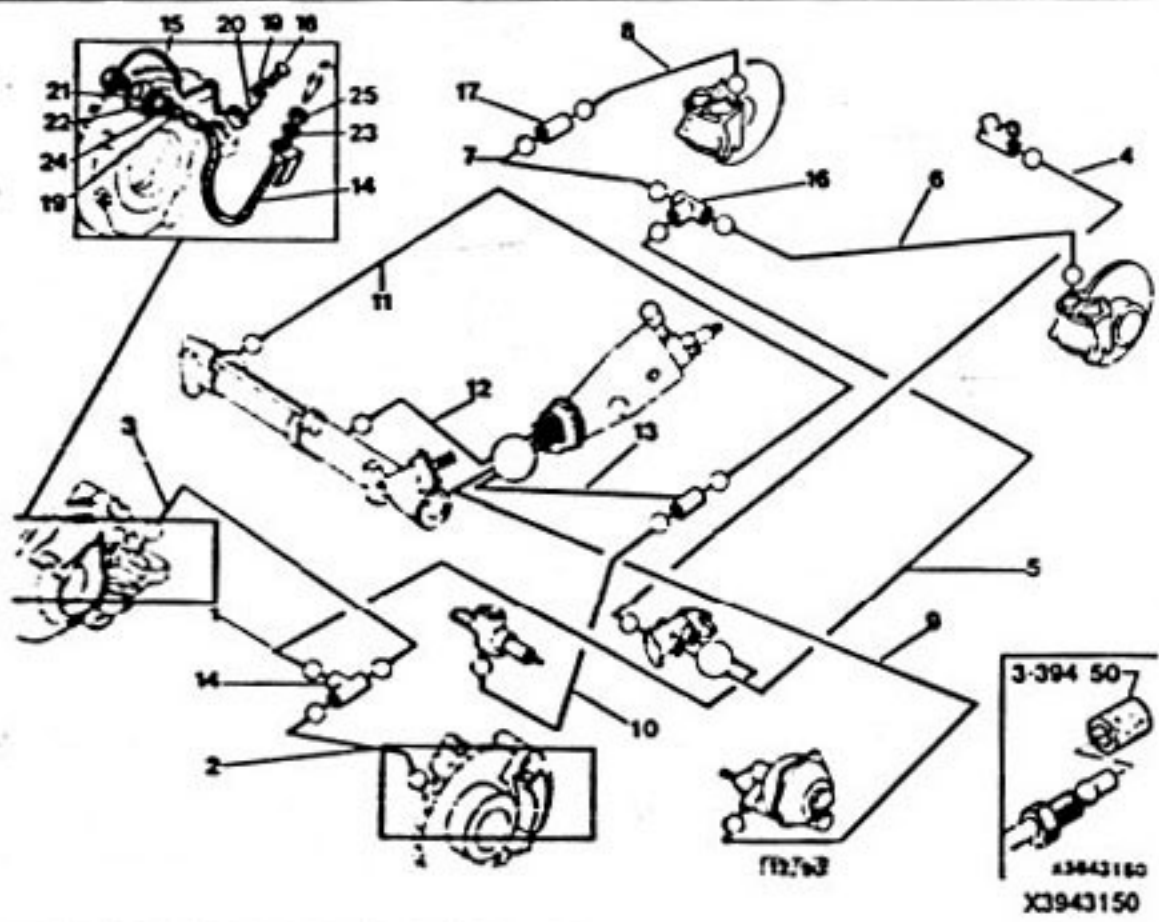


**LIMOU PRESTIGE BREAK CAG SAUF (S)**

01	95 585 081	01 DIAM 3,5-785	TUBE ROHR HYDRAULIC TUBE TUBO HIDRAULICO TUBO IDRAULICO
02	95 588 337	01 LON 520	-
03	75 522 280	01 LON 1100 -2L -2.2L	-
	5 478 288	01 -2.5L	-
04	95 592 576	01 DIAM 3,5-3450	-

05	95 598 340	01 DIAM 3,5-2880	TUBE ROHR HYDRAULIC TUBE TUBO HIDRAULICO TUBO IDRAULICO
06	95 609 024	01 LON 1955	-
07	5 450 450	01 LON 1080	-
08	95 609 025	01 LON 1955	-
09	5 473 459	01 LON 410 -BVM4	-
	5 503 355	01 LON 410 -BVA -BVM5	-
10	5 473 404	01 LON 275	-
11	5 473 424	01 LON 800	-
12	5 473 403	01 LON 635	-
13	5 472 454	01	RACCORD 2 VOIES ZWEUGEVERBINDUNG PIPE 2WAY UNION RACOR 2 VIAS RACCORDO 2 VIE
14	95 493 016	02 LON 345.5	FLEXIBLE FREIN SCHLAUCH FLEXIBLE HOSE FLEXIBLE FLESSIBILE
15	5 454 960	01 G- AVG	TUBE ROHR HYDRAULIC TUBE TUBO HIDRAULICO TUBO IDRAULICO
	5 454 961	01 D- AVD	-
16	5 438 353	02 AV 3 DIAM 8X1,25	RACCORD 3 VOIES ZWEUGEVERBINDUNG PIPE 3WAY UNION RACOR 3 VIAS RACCORDO 3 VIE
17	5 447 189	01 AV 2 DIAM 8X1,25	RACCORD 2 VOIES ZWEUGEVERBINDUNG PIPE 2WAY UNION RACOR 2 VIAS RACCORDO 2 VIE

**CANALISATIONS DIRECTION FREIN**  
**BREMS-UND LENKUNGS-LEITUNGEN**  
**STEERING AND BRAKE PIPING**  
**CANALIZACIONES DIRECCION Y FRENOS**  
**CANALIZZAZIONI STERZO E FRENI**



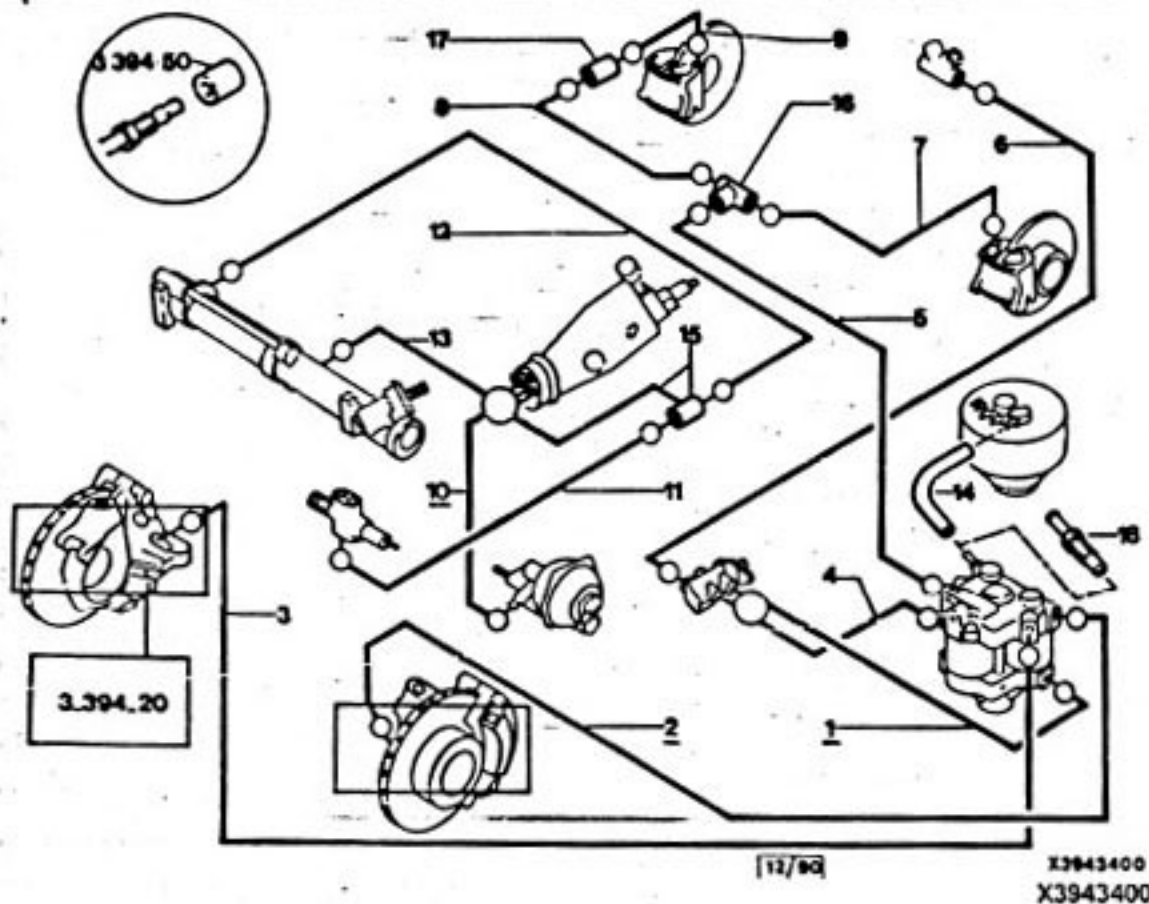
**LIMOU PRESTIGE BREAK CAG SAUF (S)**

18	5 427 798 NFP	02 DIAM 10X100-33	VIS RACCORD VERB.SCHRAUBE UNION-SCREW TORNILLO RACOR VITE
19	22 457 009	06 CU DIAM 10X15 E1	RONDELLE PLATE FLACHSCHEIBE PLAIN WASHER ARANDELA PLANA RONDELLA PIATTA

20	26 170 229	02 4,45X20	GOUPILLE PASS-STIFT COTTER PIN PASADOR RONDELLA PIATTA
21	5 455 184	01 G- AVG	SUPPORT TUYAU HALTER PIPE BRACKET SOPORTE SUPPORTO
22	5 455 185 ZD 9336 600 U RP 7903056129	01 D- AVD 02 DIAM 18,5X30E4	- RONDELLE A DENT ZAHNSCHEIBE SPRING WASHER ARANDELA RONDELLA DENTAT
23	22 722 019	02 DIAM 14X27X2,5	RONDELLE SCHEIBE BELT FIX WASHER ARANDELA RONDELLA
24	26 150 979	02 H18X1,00-6,5	ECROU MUTTER NUT TUERCA DADO
25	79 03 032 231	02 HE14X1,50 H6	ECROU HEXAGONAL SECHSKANTMUTTER HEXAGONAL NUT TUERCA DADO ESAGONALE



**CANALISATIONS DIRECTION FREIN**  
**BREMS-UND LENKUNGS-LEITUNGEN**  
**STEERING AND BRAKE PIPING**  
**CANALIZACIONES DIRECCION Y FRENOS**  
**CANALIZZAZIONI STERZO E FRENI**



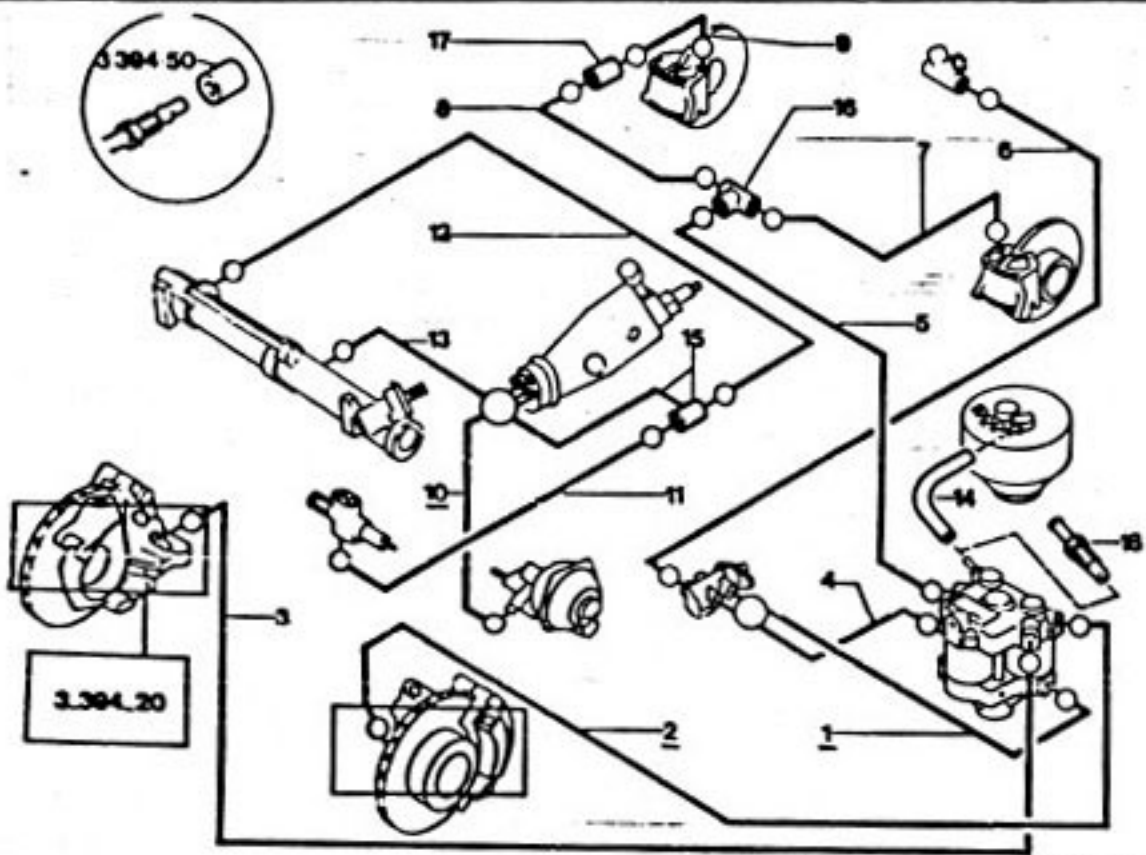
**ANTI.BLOC.ROUE**

- NOTA : MONTAGE DOSEUR 2 TIROIRS

01	95 607 337	01 LON 690 -CAG	TUBE ROHR HYDRAULIC TUBE TUBO HIDRAULICO TUBO IDRAULICO
02	95 607 341	01 LON 860 -CAG	.
03	95 607 342	01 LON 1150	.

03	96 017 541	01 AV D	3887 ▶	TUYAU DE FREIN BREMSLEITUNG BRAKE PIPE TUBO DE FRENO TUBO FRENI
04	95 607 338	01 LON 770		TUBE ROHR HYDRAULIC TUBE TUBO HIDRAULICO TUBO IDRAULICO
05	95 607 344	01 LON 3150 -BERLINE		.
	95 609 044	01 -BREAK		VIS FIX C OUSSIN BEF.SCHI 3 U.POLS SCREW CUSHIN PAD TORNILLO FIX AL VITE VOLANTE
06	95 578 836	01 LON 3150 -BERLINE		TUBE ROHR HYDRAULIC TUBE TUBO HIDRAULICO TUBO IDRAULICO
	95 592 576	01 DIAM 3,5-3450 -BREAK		.
07	95 609 024	01 LON 1955		.
08	5 450 450	01 LON 1080		.
09	95 609 025	01 LON 1955		.
10	95 607 349	01 LON 400 -CAG		.
11	5 473 404	01 LON 275 -CAG		.
12	5 473 424	01 LON 800		.
13	5 473 403	01 LON 635		.
14	79 05 026 946	01 LON 900 CAOUTCHOUC		TUYAU DE FREIN BREMSLEITUNG BRAKE PIPE TUBO DE FRENO TUBO FRENI

**CANALISATIONS DIRECTION FREIN**  
 BREMS-UND LENLUNGS-LEITUNGEN  
 STEERING AND BRAKE PIPING  
 CANALIZACIONES DIRECCION Y FRENOS  
 CANALIZZAZIONI STERZO E FRENI



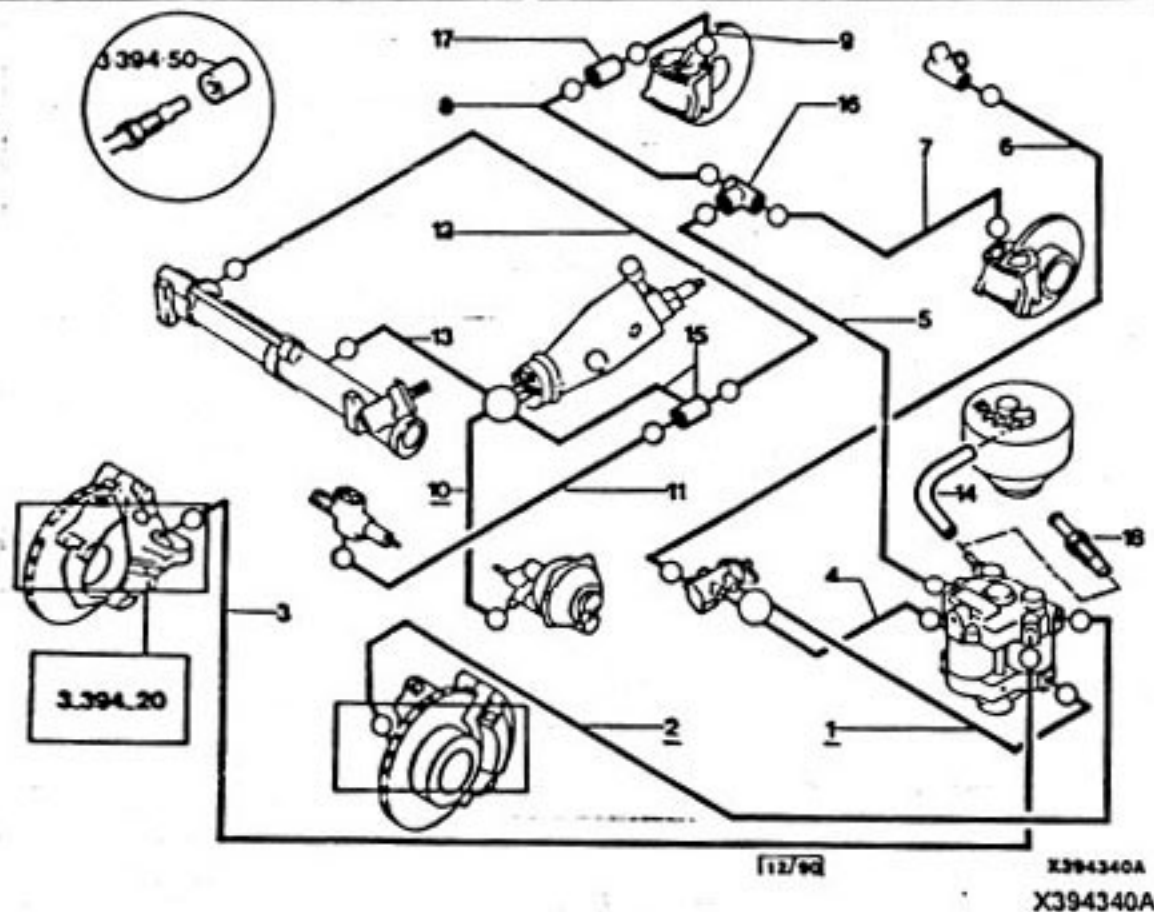
**ANTI.BLOC.ROUE**

15	5 472 454	01	RACCORD 2 VOIES ZWEGERBINDUNG PIPE 2WAY UNION RACOR 2 VIAS RACCORDO 2 VIE
16	5 438 353	01 AV 3 DIAM 8X1.25	RACCORD 3 VOIES ZWEGERBINDUNG PIPE 3WAY UNION RACOR 3 VIAS RACCORDO 3 VIE

17	5 447 189	01 AV 2 DIAM 8X1.25	RACCORD 2 VOIES ZWEGERBINDUNG PIPE 2WAY UNION RACOR 2 VIAS RACCORDO 2 VIE
18	95 567 065	01	EMBOUT ENDSTUECK CORR END PIECE RACOR GHIERA

<b>XT</b>			
51	95 607 339	01 LON 1235 -CAD	TUBE ROHR HYDRAULIC TUBE TUBO HIDRAULICO TUBO IDRAULICO
52	95 607 340	01 LON 1000 -CAD	
60	95 609 045	01 LON 1044 -CAD	

**CANALISATIONS DIRECTION FREIN**  
**BREMS-UND LENKUNGS-LEITUNGEN**  
**STEERING AND BRAKE PIPING**  
**CANALIZACIONES DIRECCION Y FRENOS**  
**CANALIZZAZIONI STERZO E FRENI**



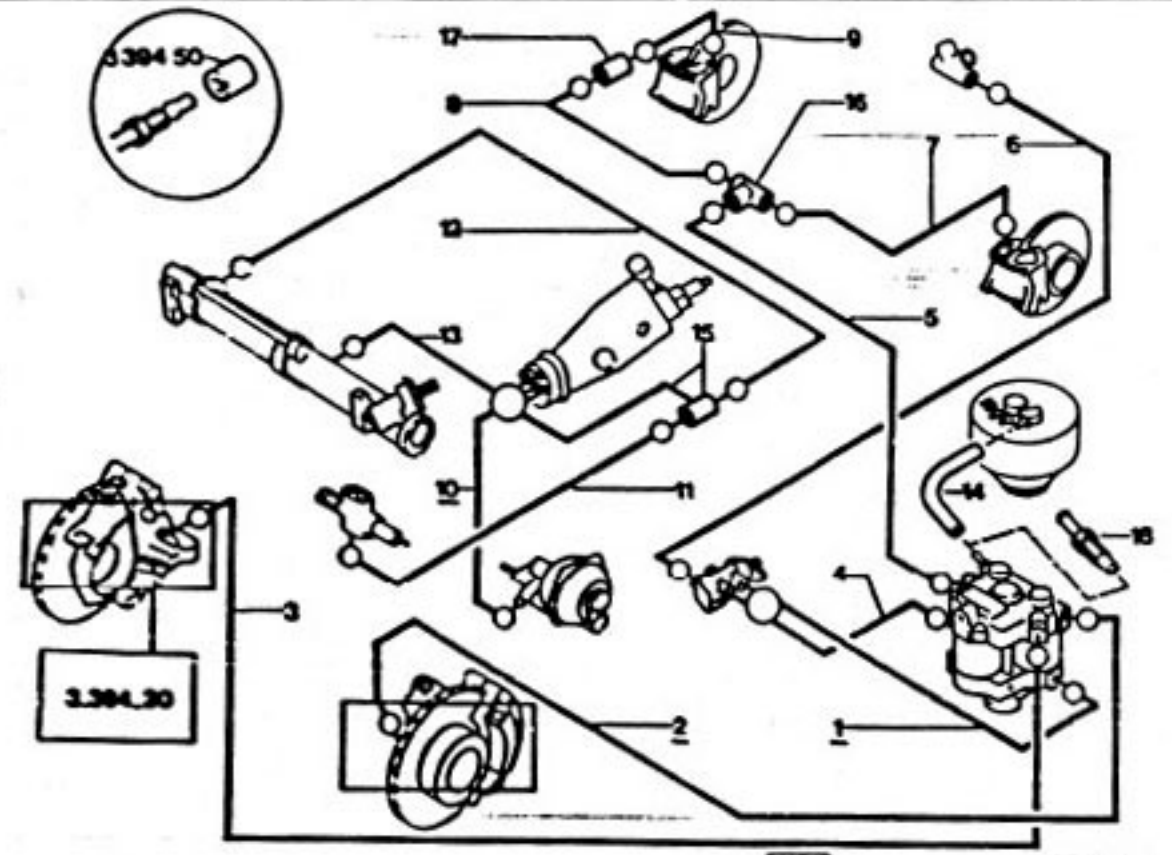
**ANTIBLOC.ROUE**

- NOTA : MONTAGE DOSEUR 3 TIROIRS

01	95 607 337	01 LON 690 -CAG	TUBE ROHR HYDRAULIC TUBE TUBO HIDRAULICO TUBO IDRAULICO
02	95 607 341	01 LON 860 -CAG	-
03	95 607 342	01 LON 1150	▶ 3885 -

03	96 017 541	01 AV D	3887 ▶ TUYAU DE FREIN BREMSLEITUNG BRAKE PIPE TUBO DE FRENO TUBO FRENI
04	96 026 125	01 DIAM 3,5-650	TUBE ROHR HYDRAULIC TUBE TUBO HIDRAULICO TUBO IDRAULICO
05	95 607 344	01 LON 3150 -BERLINE	-
	95 609 044	01 -BREAK	VIS FIX COUSSIN BEF.SCHRAU.POLS SCREW CUSHN PAD TORNILLO FIX AL VITE VOLANTE
06	95 578 836	01 LON 3150 -BERLINE	TUBE ROHR HYDRAULIC TUBE TUBO HIDRAULICO TUBO IDRAULICO
	95 592 576	01 DIAM 3,5-3450 -BREAK	-
07	95 609 024	01 LON 1955	-
08	5 450 450	01 LON 1080	-
09	95 609 025	01 LON 1955	-
10	95 607 349	01 LON 400 -CAG	-
11	5 473 404	01 LON 275 -CAG	-
12	5 473 424	01 LON 800	-
13	5 473 403	01 LON 635	-
14	79 05 026 946	01 LON 900 CAOUTCHOUC	TUYAU DE FREIN BREMSLEITUNG BRAKE PIPE TUBO DE FRENO TUBO FRENI

**CANALISATIONS DIRECTION FREIN**  
**BREMS-UND LENKUNGS-LEITUNGEN**  
**STEERING AND BRAKE PIPING**  
**CANALIZACIONES DIRECCION Y FRENOS**  
**CANAUZZAZIONI STERZO E FRENI**



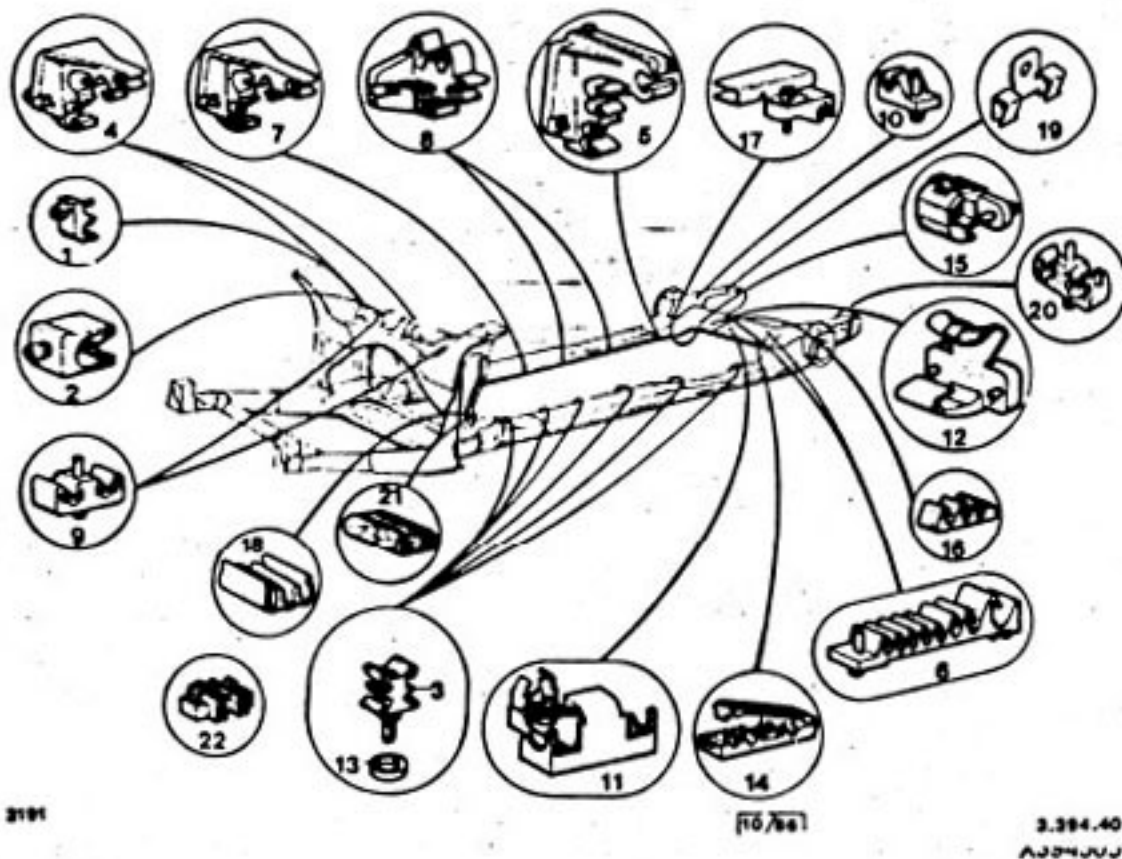
11/1990 X394340A X394340A

**ANTLBLOC.ROUE**

15	5 472 454	01	RACCORD 2 VOIES 2WEGEVERBINDUNG PIPE 2WAY UNION RACOR 2 VIAS RACCORDO 2 VIE
16	5 432 155	01 AV 3 DIAM EX1.25	RACCORD 3 VOIES 3WEGEVERBINDUNG PIPE 3WAY UNION RACOR 3 VIAS RACCORDO 3 VIE

17	5 447 189	01 AV 2 DIAM 8X1.25	RACCORD 2 VOIES 2WEGEVERBINDUNG PIPE 2WAY UNION RACOR 2 VIAS RACCORDO 2 VIE
18	95 567 065	01	EMBOUT ENDSTUECK CORR END PIECE RACOR GHIERA
<b>XT</b>			
51	95 607 339	01 LON 1235 -CAD	TUBE ROHR HYDRAULIC TUBE TUBO HIDRAULICO TUBO IDRAULICO
52	96 026 126	01 DIAM 3,5-950 -CAD	.
60	95 609 045	01 LON 1044 -CAD	.

**SUPPORTS DE CANALISATIONS**  
TRAEGER F. LEITUNGEN  
PIPING BRACKETS  
SOPORTES DE CNALIZACIONES  
SUPPORTI PER CANALIZZAZIONI

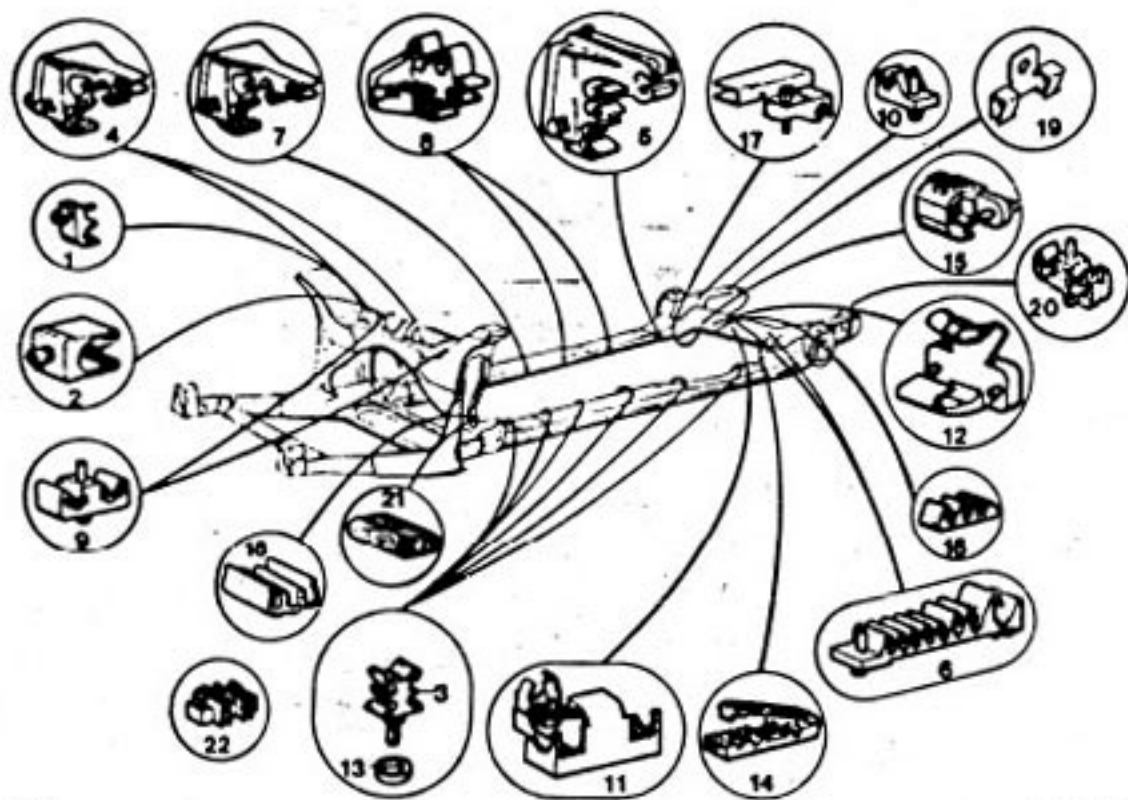


3191 (16/9a) 3.394.40  
A324JUU

02	26 199 489	01	1 DIAM	SUPPORT HALTER LINE BRACKET SOPORTE SUPPORTO
03	26 199 499	14	4 DIAM 3,5	-
04	79 03 079 187	02	5 DIAM	-
05	79 03 079 186	01	5 DIAM	3
06	26 199 529	02	8 DIAM	-
07	79 03 079 184	02	5 DIAM	-
08	79 03 079 188	02	5 DIAM	-
09	26 199 689	02	2 DIAM	-
10	5 435 495	04	1 DIAM	AGRAFE HALTESPANGE CLIP GRAPA AGRAFE
11	79 03 079 073	01	1 DIAM 4,8	-
11	26 199 669	02	AV 3 DIAM	SUPPORT VERBIND.-HALTER CONNECT BRACKET SOPORTE RACOR SUPPORTO
12	5 446 203	02	AR	-
13	26 192 579	02	10,25X14X4,7	RONDELLE SCHEIBE WASHER ARANDELA RONDELLA
14	26 199 579	02	3 DIAM	SUPPORT HALTER LINE BRACKET SOPORTE SUPPORTO
15	26 199 569	01	1 DIAM	-
16	5 436 993	99	3 DIAM	-
17	26 199 899	02	1 DIAM	-

01	26 199 449	15	1 DIAM 3,5	SUPPORT HALTER LINE BRACKET SOPORTE SUPPORTO
	5 463 433	01	C. -BREAK -SAUF ANTI.BLOC.ROUE	BRAS SUSPENSION SCHWINGARM SUSPENSION ARM BRAZO BRACCIO
	5 463 439	01	D. -BREAK -SAUF ANTI.BLOC.ROUE	-

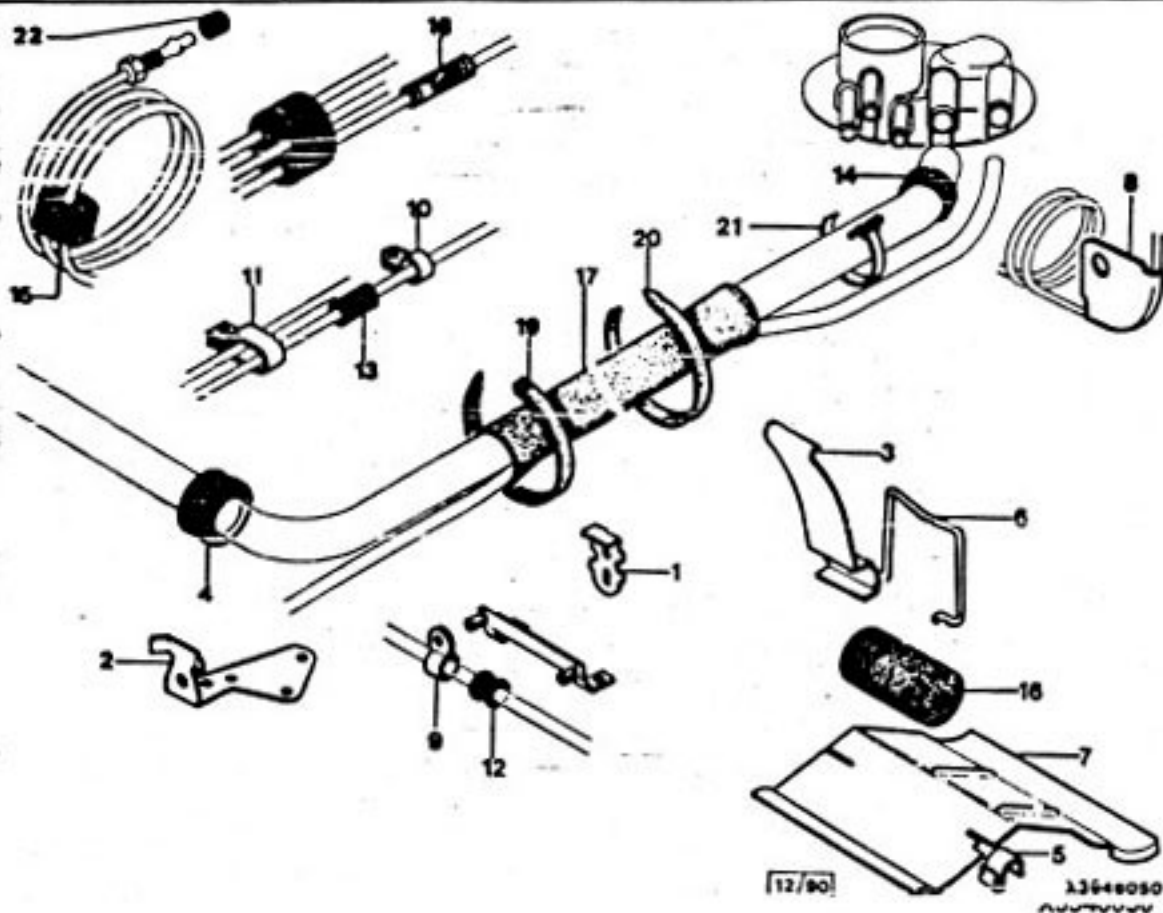
**SUPPORTS DE CANALISATIONS**  
 TRAEGER F. LEITUNGEN  
 PIPING BRACKETS  
 SOPORTES DE CNALIZACIONES  
 SUPPORTI PER CANALIZZAZIONI



3191 10/88 3.394.40 A324J0J

20	95 499 138	02	2 DIAM 3,5 OU 5,5 -ANTI.BLOC.ROUE	SUPPORT HALTER LINE BRACKET SOPORTE SUPPORTO
21	5 465 987	01	2 0	ENTRETOISE ABSTANDSSTUECK SPACER JUEGO DISTANCIA DISTANZIALE
	5 486 774 NFP	02	3 DIAM 4,5 21X25X10	
72	95 499 139	01	2 DIAM -CAD  <b>XT</b>	SUPPORT HALTER LINE BRACKET SOPORTE SUPPORTO
18	26 199 719	03	3 DIAM 4,5	PATTE SUPPORT HALTELASCHE SUPPORT BRACKET GOP.TUBO HYD STAFFA SUPPORTO
19	95 499 006	02	-ANTI.BLOC.ROUE	SUPPORT HALTER LINE BRACKET SOPORTE SUPPORTO
20	95 499 018	02	1 DIAM 3,5 1 DIAM 6 -ANTI.BLOC.ROUE	

**CANALISATION - PATTES ET SUPPORTS**  
 LEITUNGEN-LASCHE-TRAEGER  
 PIPING-PLATE-BRACKET  
 CANALIZACIONES-PLATA-SOPORTE  
 CANALIZZAZIONI-STAFFA-SOPPORTO



01 5 452 084

02

PATTE SUPPORT  
 HALTELASCHE  
 SUPPORT BRACKET  
 SOP.TUBO HYD  
 STAFFA SUPPORTO

02 75 511 670

01

PATTE  
 HALTELASCHE  
 SUPPORT LUG  
 SOPORTE  
 STAFFA

03 5 486 773

01 LAR 30-83

04

21 064 009

01

16X32X7  
 CAOUTCHOUC

OEILLET  
 GUMMIOESE  
 RUBBER GROMMET  
 PASACABLE  
 OCCHIELLO

05

26 199 749

02

AGRAFE  
 KLAMMER  
 CLIP  
 GRAPA  
 AGRAFE

06

5 486 775

01

07

5 486 771

01

ECRAN  
 ABSCHIRMBLECH  
 PIPE SHIELD  
 PANTALLA PROT.  
 SCHERMO

08

5 435 491

01

PLAQUETTE  
 PLAKETTE  
 HYD TUBE PLATE  
 PLAQUETA  
 PIASTRINA

09

5 413 090

99

SUPPORT  
 HALTER  
 LINE BRACKET  
 SOPORTE  
 SUPPORTO

75 443 736

99

PATTE SUPPORT  
 HALTELASCHE  
 SUPPORT BRACKET  
 SOP.TUBO HYD  
 STAFFA SUPPORTO

10

75 438 350

99

SUPPORT  
 HALTER  
 LINE BRACKET  
 SOPORTE  
 SUPPORTO

11

75 527 220

99

PATTE  
 LASCHE  
 FIXING BRACKET  
 SOPORTE  
 STAFFA

12

75 413 089

99

DIAM 4,5X13

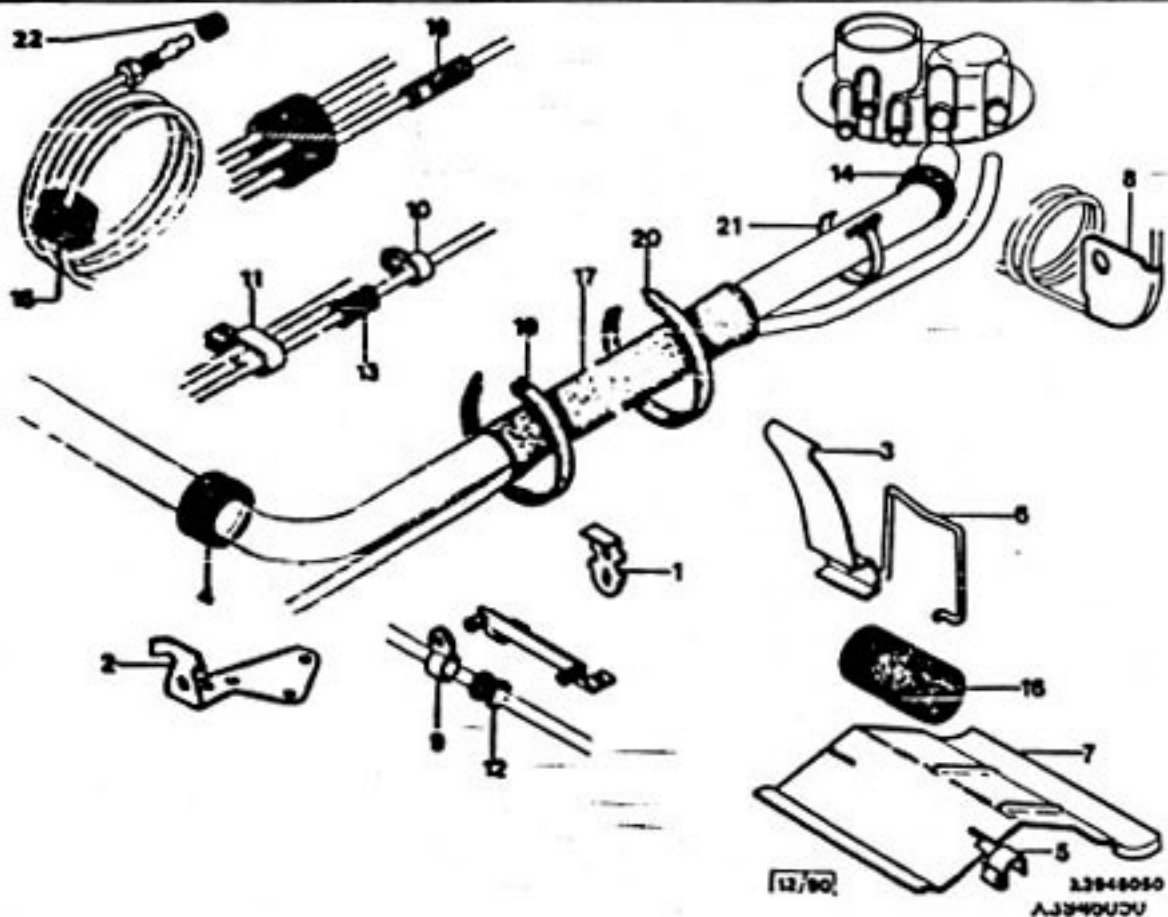
BAGUE DE TUBE  
 HALTERING  
 TUBE RING  
 CASOILLO  
 BOCCOLA

75 426 224

99

6.6X17

CANALISATION - PATTES ET SUPPORTS  
LEITUNGEN-LASCHE-TRAEGER  
PIPING-PLATE-BRACKET  
CANALIZACIONES-PLATA-SOPORTE  
CANALIZZAZIONI-STAFFA-SOPPORTO

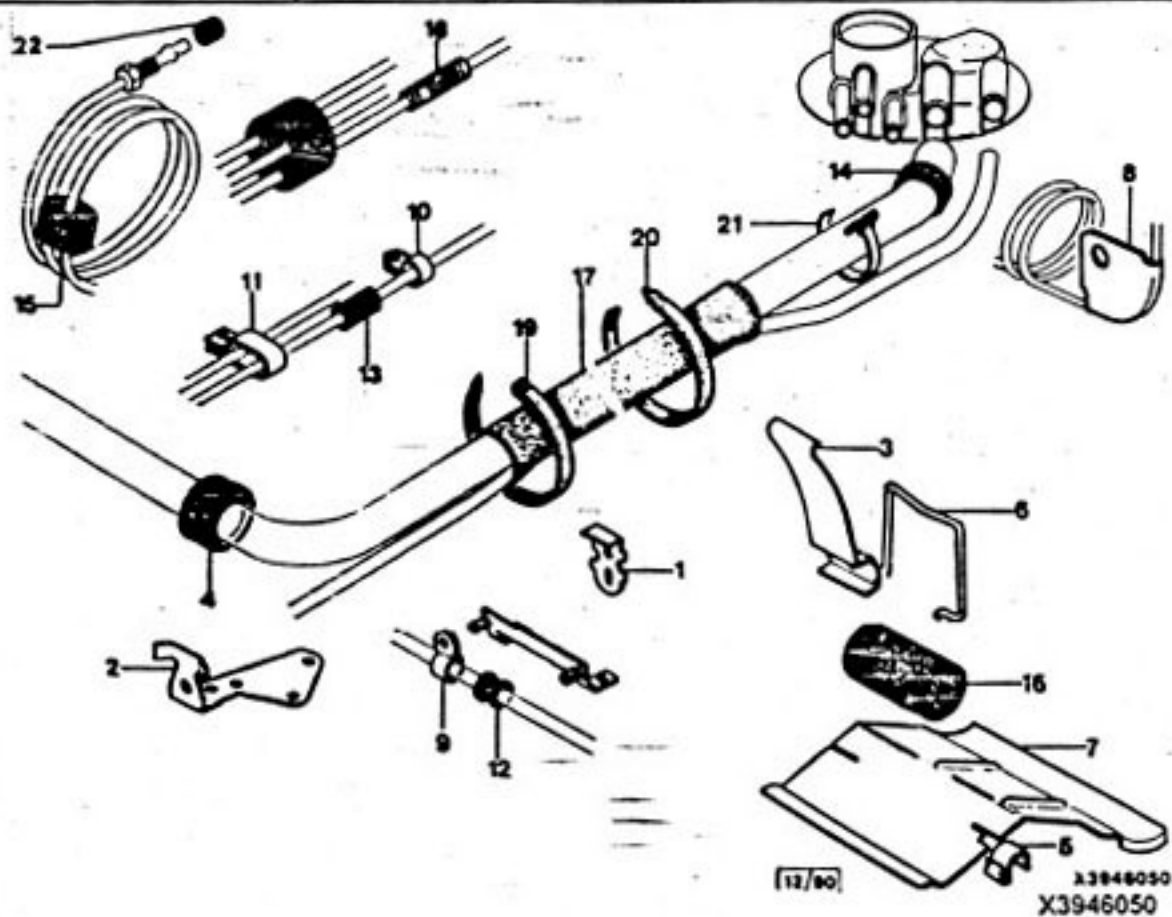


13	5 411 856	99	4X3-15	GAINÉ HUELLE PROTECT SLEEVE VAINA GUAINA	18	26 189 549	99	DIAM INT 3,5	FOURREAU STUTZEN PIPE SLEEVE PROTECTOR MANICOTTO
14	26 208 159	99	8,5X12,5-15	BAGUE DE TUBE HALTERING TUBE RING CASQUILLO BOCCOLA	19	75 413 303 RP 7903085045	01	LON 245 "NYLON"	COLLIER SCHELLE ADJUST COLLAR ABRAZADERA COLLARE
	26 208 089	99	11,5X15,5-15	-	20	26 142 149 RP 7903085034	99	LON 77 CAOUTCHOUC	-

14	26 208 169	99	17X21-45	BAGUE DE TUBE HALTERING TUBE RING CASQUILLO BOCCOLA
	26 208 089	99	19X23X15	BAGUE ELASTIQUE RING BUSHING CASQUILLO ELAS. BOCCOLA ELAST.
	79 05 026 983	99	21X25-15	BAGUE DE TUBE HALTERING TUBE RING CASQUILLO BOCCOLA
15	5 474 055	02	4X40X30	MANCHON MUFFE RET TUBE SLEEVE MANGUITO MANICOTTO
16	5 475 436	99	CAOUTCHOUC	-
17	26 230 869	01	DIAM 23 -300	GAINÉ HUELLE SLEEVE VAINA GUAINA
	26 230 719 RP 26230729	01	DIAM 16-225	-
	26 230 969 RP 7905026922	01	DIAM 30-500	-
	79 05 026 922	01	DIAM 30 -800	-
	79 05 026 923	01	32X34X500	-
	26 189 549	99	DIAM INT 3,5	FOURREAU STUTZEN PIPE SLEEVE PROTECTOR MANICOTTO
	75 413 303 RP 7903085045	01	LON 245 "NYLON"	COLLIER SCHELLE ADJUST COLLAR ABRAZADERA COLLARE
	26 142 149 RP 7903085034	99	LON 77 CAOUTCHOUC	-



**CANALISATION - PATTES ET SUPPORTS**  
 LEITUNGEN-LASCHE-TRAEGER  
 PIPING-PLATE-BRACKET  
 CANALIZACIONES-PLATA-SOPORTE  
 CANALIZZAZIONI-STAFFA-SOPPORTO



22

21 888 009  
 RP 96085785

21 889 009  
 23 331 009  
 26 126 179

99 3,5X5,6-9,5  
 99 4,5X7,2-9,5  
 99 6,8X10,2-9,5  
 01 6,8X11,8X9,5

GARNITURE  
 BESCHLAEGE  
 PIPE LINING  
 GUARNECIDO  
 RIVESTIMENTO

20

26 142 169

99 AV LON 80  
 CAOUTCHOUC

COLLIER  
 SCHELLE  
 ADJUST COLLAR  
 ABRAZADERA  
 COLLARE

26 142 199

99 LON 100 CC

26 142 259

99

21

22 965 029

01

22 898 829  
 RP 7903083250

99 LON 180