

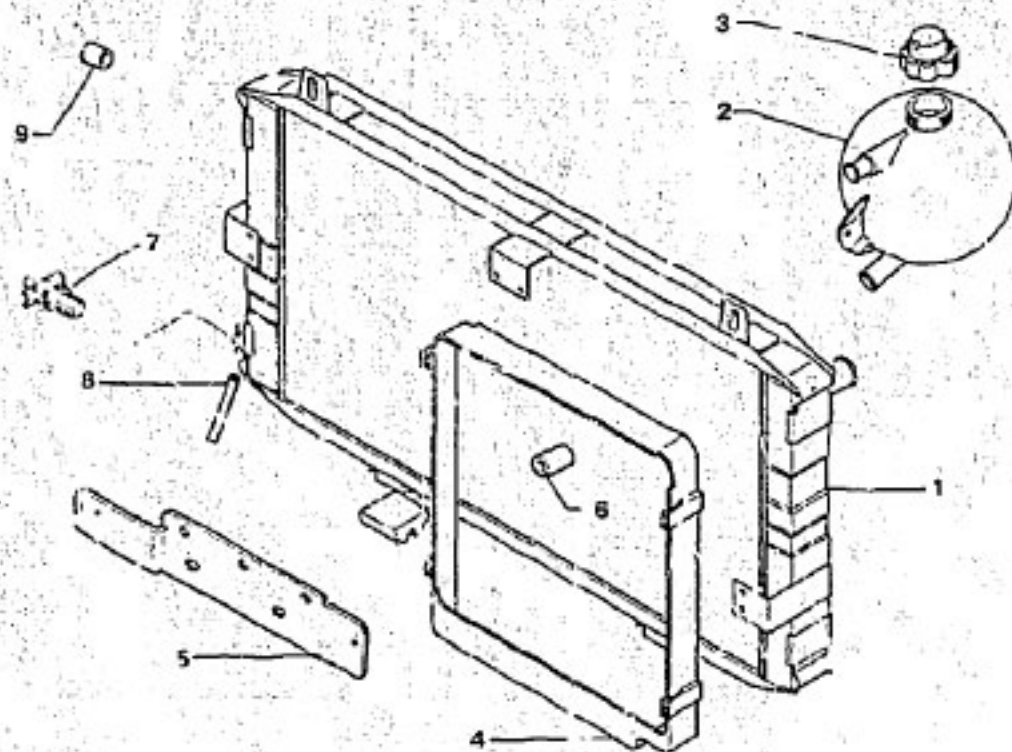
191

6-235-40

R-10

RADIATEUR - NOURRICE D'EAU
WASSERKUEHLER UND AUFFUELBEHAELTER
WATER COOLER AND FEED TANK
RAJADOR Y NOURIZA DE AGUA
RADIATORE E NUTRICE ACQUA

11/86



6-235-40

6MA 75 492 024

(20 dm²) SOFICA
 BK 5/78 ▶ 12/78
 2 L 5/78 ▶
 2,35 L 5/78 ▶ 12/78
 2,35 L EMBAUT
 5/78 ▶ 12/78

6MA 75 492 576
RP 95 495 119

RMP 2,2 L 1/75 ▶ 5/78
 DEG 2 - 75 518 363
 (23 dm²) SOFICA
 2 L - BK 12/78 ▶
 2,35 L 12/78 ▶
 2,5 L - EMBAUT
 12/78 ▶
 2 L - 2,35 L
 CLIMAT 12/78 ▶
 2,35 L - IE
 EAU CLIMAT

6MA 5 491 251
RP 95 495 127

12/79 ▶
 RM 75 492 574
 12/78 ▶ 5/78
 23 dm² COVRAD
 2,35 L - EMBAUT
 CLIMAT

6MA 75 491 773
RP 95 495 122

10/76 ▶ 5/78
 2,35 L - IE
 3/77 ▶ 5/78
 RM 75 492 439
 23 dm² COVRAD
 2 L - 2,35 L CLIMAT
 5/78 ▶

6MA 75 491 771
RP 95 495 127
DEO 1 - 75 530 687
1 - 75 531 409

2,35 L - EMBAUT
 CLIMAT 5/76 ▶
 2,35 L - IE 5/78 ▶
 RM 75 492 439
 (23 dm²) CHAUSSON
 5/78 ▶
 RMP 5 490 174

6MA 75 491 771
RP 95 495 122

(23 dm²) (COVRAD)
 5/78 ▶
 RMP 5 491 200
 (23 dm²) SOFICA
 8V 5 4/73 ▶

6MA 95 492 528
RP 95 495 119
DEO 1 - 75 530 687
1 - 75 531 409

1 7/76 ▶ 5/78
 SAUF DI
 SAUF IE
 SAUF EMBAUT -
 CLIMAT
 RMP
 DEO 1 - 5 478 982

2 6MA 5 478 984

1 5/78 ▶
 1 IE ▶ 5/78
 1 EMBAUT - CLIMAT
 5/78 ▶
 1 TT 5/78 ▶

RADIATEUR (MOTEUR DI)
KUEHLER (DIESELMOTOR)
COOLER (DIESEL ENGINE)
RAJADOR MOTOR (DI)
RADIATORE (MOTORE DI)

NOURRICE SANS BOUCHON
BEHAELTER OHNE STOPFEN
TANK W/O PLUG
NOURRIZA SEN TAPCA
NUTRICE SEN LA TAPPO

1	NUMEROS	K	DESIGNATIONS
---	---------	---	--------------

1	6MA 5 435 389 RP 95 495 118 DEO : 1 - 75 530 685 1 - 95 519 813 1 - 5 475 041 1 - 5 475 040 1 - 75 531 408 1 - 5 435 394	1	(16 dm ²) ▶ 1/75 2 L RADIATEUR (MOTEUR ESS.) KUEHLER (BENZINMOTOR) COOLER (PETROL ENGINE) RAJADOR (MOTOR GASOL.) RADIATORE (MOTORE BENZINA)
---	--	---	---